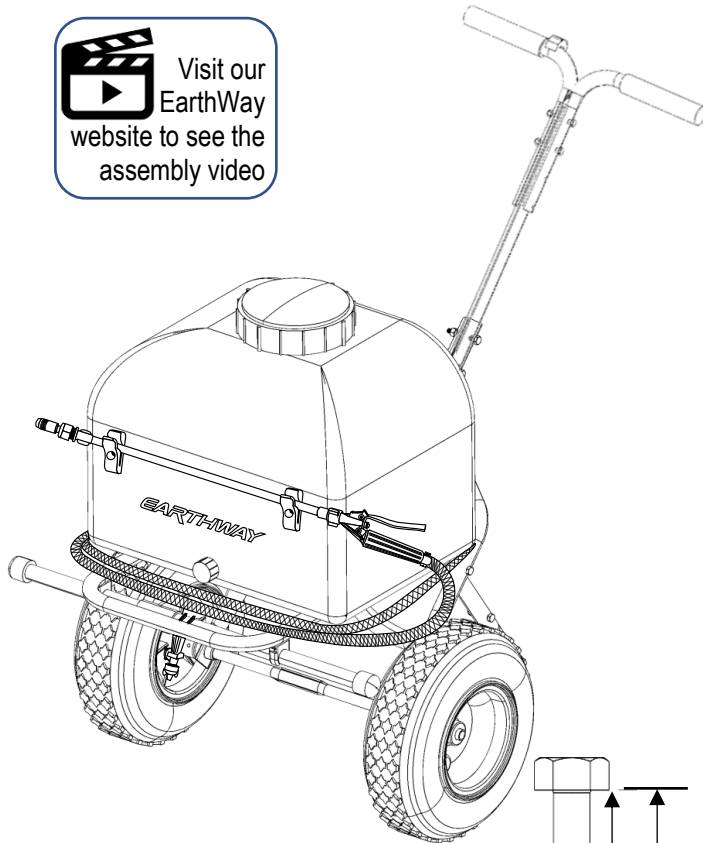


MODEL # 90309

ASSEMBLY INSTRUCTIONS

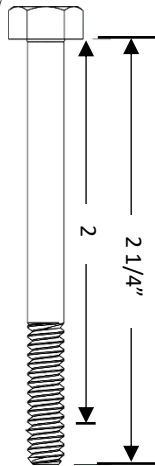


Visit our EarthWay website to see the assembly video



Prior to assembly, you will need:

Two 7/16" adjustable or box wrenches



THANK YOU FOR CHOOSING EARTHWAY

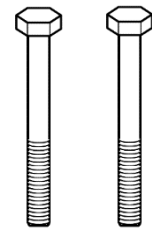
Thank you for purchasing EarthWay's 8-Gallon Power Sprayer!

- The included spray boom nozzle is calibrated to **1.2 gallons per minute**, which equates to **0.9 gallons per 1000 sq. ft at 3 mph**.
- SEE TABLE BELOW for sprayer output settings.

ASSEMBLY HARDWARE

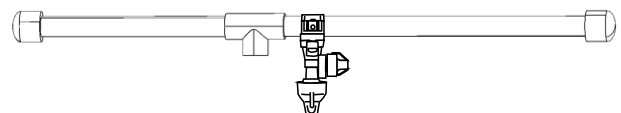
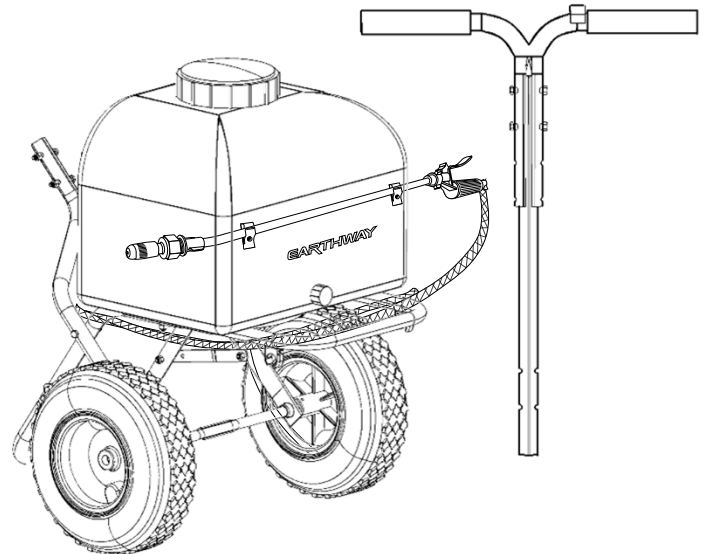


LOCK NUT
QTY 2



1/4-20 X 2" SCREW
QTY 2

SPRAYER COMPONENTS

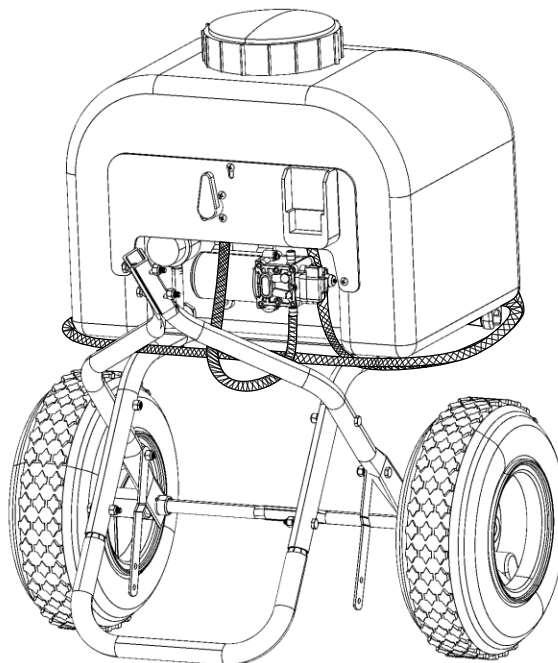


SPRAYER OUTPUTS (OPEN FLOW, GAL/1000 sq. ft)

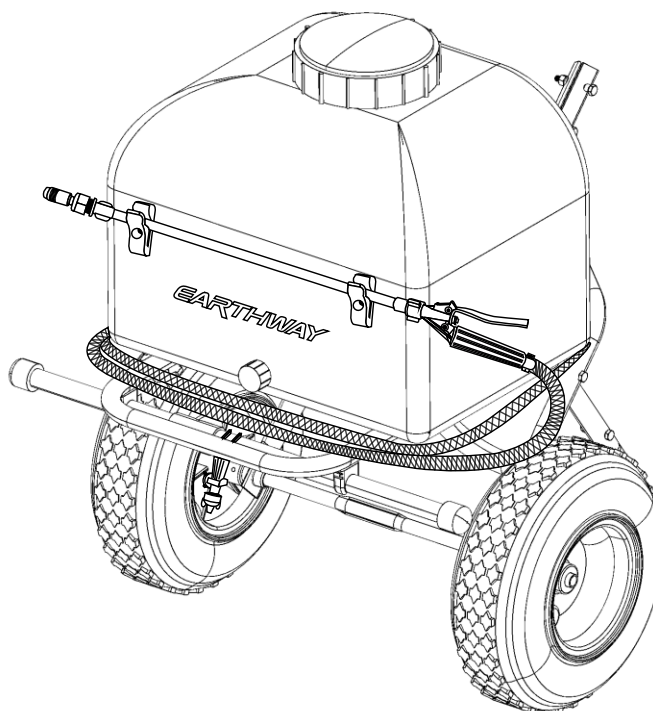
WALK SPEED (MPH)	SPRAY NOZZLE (HYPRO HF140-15)	ICE MELT BOOM
1	2.7	6.8
1.5	1.8	4.5
2	1.4	3.4
2.5	1.1	2.7
3	0.9	2.3
3.5	0.8	1.9
4	0.7	1.7

SPRAYER ASSEMBLY INSTRUCTIONS

Step 1: Remove all components and hardware items from the box. Place the **sprayer assembly** so it is facing away from you, tilted forward.

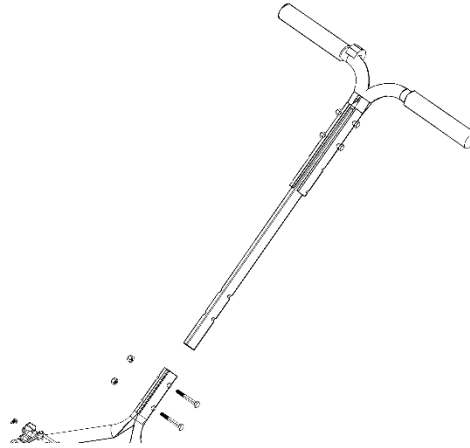


Step 2: Wind the **hose** around the bottom of the tank and clip the **spray wand** into the (2) **wand clips** located on the front of the tank.



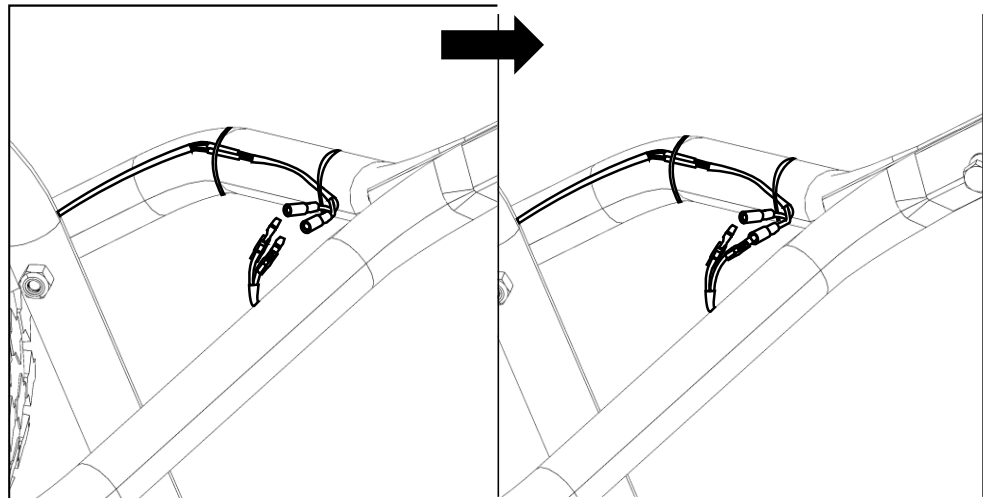
Step 3: Install the **sprayer handle assembly** into the two lower handle holes using (2) $\frac{1}{4}$ " X $2\frac{1}{4}$ " screws. Secure with (2) **lock nuts**.

Note: Make sure the on/off switch is facing up, and be sure to maneuver around the wires in the handle shaft.

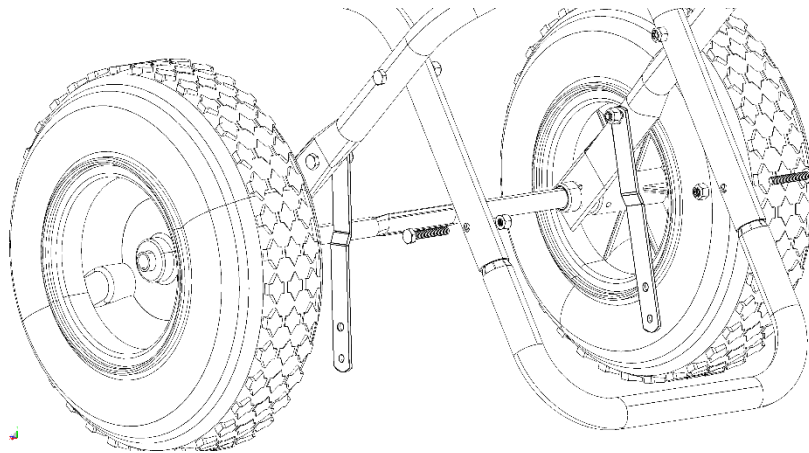


Step 4: Plug the two connection wires into the **red** motor connection wires.

Note: The color of the wires **do not make a difference**.

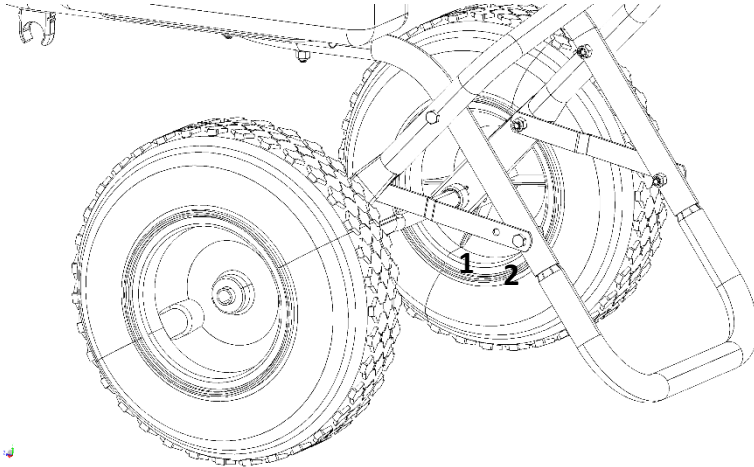


Step 5: Remove the (2) $\frac{1}{4}$ -20 X $1\frac{1}{2}$ " screws and (2) **lock nuts** from the **frame**. With the sprayer tilted all the way forward, put a foot on the **silver axle** and a hand on the **frame**. Pull the frame towards yourself to lift the **tank assembly**.

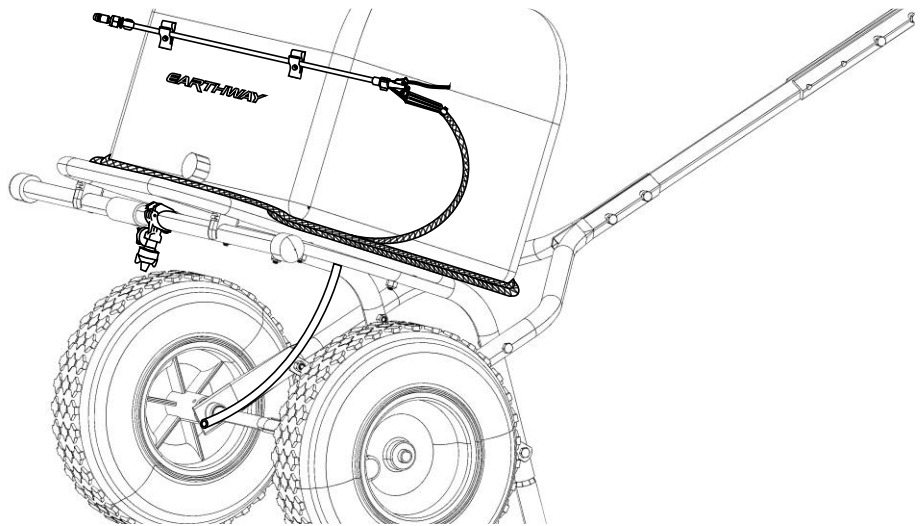


Step 6: Match the frame hole with the furthest hole on the **silver frame brace**. Secure with the (2) $\frac{1}{4}$ -20 X 1 $\frac{1}{2}$ " bolts and (2) **lock nuts**.

Note: The frame brace goes on the outer edges of the frame.

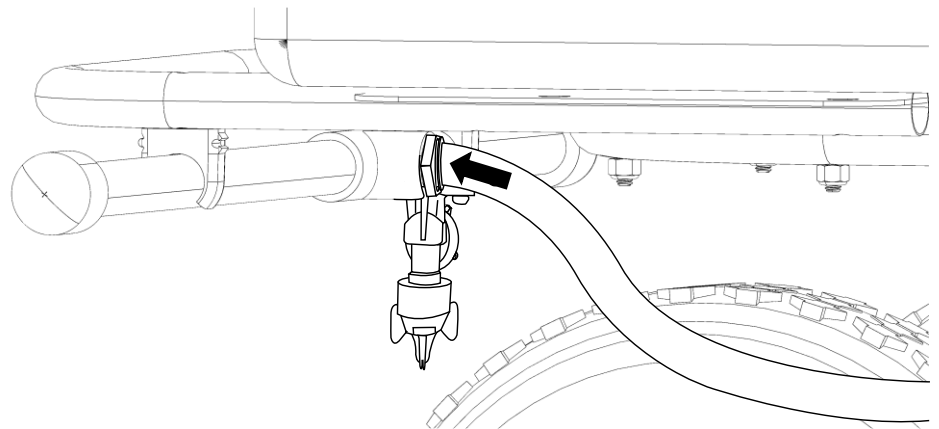


Step 7: Turn the sprayer around to face you. Clip the **spray boom** into the (2) **boom clips**.



Step 8: Insert the connection hose into the **orange hose fitting**. Pull back slightly on the hose to seal the connection.

Note: To remove connection hose, press **down** on orange seal and pull hose out.



NOW GO BACK AND TIGHTEN ALL NUTS AND BOLTS. DO NOT OVER TIGHTEN.

Congratulations, you are ready to use your 8-Gallon Power Sprayer.

Thank you for choosing EarthWay Products!

OPERATING INSTRUCTIONS

- ☑ Obtain proper setting for material to be used from the material label.
- ☑ Turn the switch to OFF and install DeWalt™ battery into the BATTERY ADAPTER.
- ☑ To activate the front boom sprayer, turn the RED LEVER **vertical** and the switch to ON.
- ☑ To activate the sprayer wand, turn the RED LEVER **horizontal** and the switch to ON.
- ☑ Spray some liquid back into the tank to flush the wand and ensure even spraying.
- ☑ To change the spray pattern, turn the NOZZLE on the spray wand.
- ☑ When finished spraying, REMOVE the battery from the adapter.
- ☑ DO NOT spray any liquid near the BATTERY ADAPTER.

CLEANING

- ☑ After **every** use, THOROUGHLY clean out the sprayer tank with water.
- ☑ Flush the sprayer wand and hose with water.
- ☑ Soap may be used but harsh cleaning chemicals can cause damage to sprayer parts.
- ☑ Store in a cool and dry environment.
- ☑ Before temperatures drop below freezing, make sure the connection hose is detached from the spray boom and no residual moisture is present in the hose, spray wand, spray nozzle, or tank.

WARNINGS

WARNING: Cancer and Reproductive Harm – www.P65Warnings.ca.gov

This product can expose you to chemicals contained in steel and stainless including nickel and chromium, which are known to the State of California to cause cancer, birth defects, and or reproductive harm.

WARNING: Hazardous Chemicals

This sprayer contains NO hazardous liquid chemicals; however, the operator may be using hazardous chemicals in the sprayer. Do not inhale, ingest, or touch such chemicals. When using hazardous chemicals, use safety glasses and gloves to protect the eyes and skin. Read the chemical labels carefully to ensure safety.

CUSTOMER SERVICE

SUPPORT@EARTHWAY.COM | www.EARTHWAY.com | 1009 Maple Street, Bristol, IN 46507

SCHEDULE A - WARRANTY TERMS**Limited Warranty**

EarthWay Products, Inc. provides this limited warranty that this product is free of defects in original workmanship and materials for a period of one year to the end user with the original purchase receipt. If a manufacturing non-conformance is found, EarthWay Products, Inc. at its discretion will repair or replace the part(s)/product at no charge provided the failure is not the result of incorrect installation, mishandling, misuse, tampering, improper storage, or normal wear and tear as determined by EarthWay. Due to the corrosive nature of most fertilizers and ice melt products, EarthWay Products, Inc. makes no warranty against and specifically excludes part(s) or product degradation or failure due to corrosion or its effects.

EarthWay at its discretion may require that the part(s) or product be returned along with the original purchase receipt for examination and compliance with the terms of this limited warranty. Do not return any product without first receiving authorization from EarthWay Products, Inc. IN NO EVENT SHALL EITHER PARTY BE LIABLE TO THE OTHER FOR SPECIAL, INDIRECT, INCIDENTAL, OR CONSEQUENTIAL DAMAGES, EVEN IF SUCH PARTY SHALL HAVE BEEN ADVISED OF THE POSSIBILITY OF THE SAME.

To seek remedy under this limited warranty, contact EarthWay Products, Inc. at support@earthway.com or write to EarthWay Products, Inc. 1009 Maple Street, Bristol, IN 46507, and describe the nature of the manufacturing defect. SPECIFIC LIMITATIONS: This limited warranty covers only the part(s) or product; any labor charges associated with the repair or replacement of non-conformances are specifically excluded.

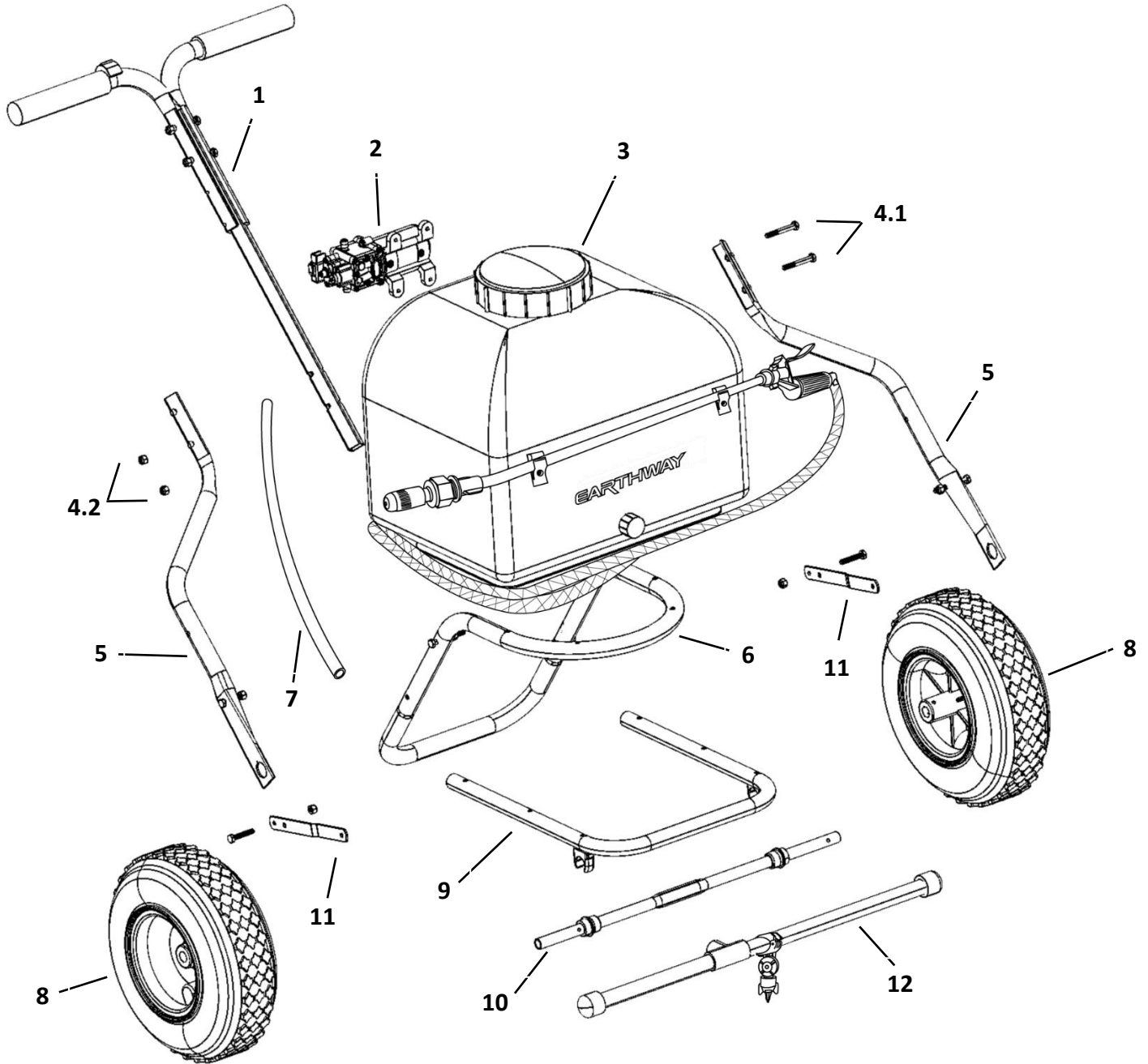
The above-listed warranty procedure is a condition precedent to bringing any legal action to enforce this limited warranty. Any action to enforce any portion of this limited warranty must be commenced within ninety days after the expiration of the limited warranty coverage period. Any performance of repairs will not suspend this limitation period from expiring unless state law provides otherwise. Any performance of repairs after the limited warranty coverage period has expired, or performance of repairs regarding anything excluded from coverage under this limited warranty shall be considered "goodwill" repairs, and they will not change the express terms of this limited warranty or extend the limited warranty coverage period.

Exclusive jurisdiction for deciding legal disputes relating to alleged breach of warranty or representations of any nature relating to this limited warranty must be filed in the courts of Elkhart County within the State of Indiana. Any and all claims, controversies, and causes of action arising out of or relating to this limited warranty, whether sounding in contract, tort, or statute, will be governed by the laws of the State of Indiana, without giving effect to any choice or conflict of law provision or rule.

NO OTHER WARRANTY, EXPRESS, IMPLIED, OR STATUTORY, SHALL APPLY, INCLUDING, BUT NOT LIMITED TO, ANY IMPLIED WARRANTY OF MERCHANTABILITY, APPLICATION, OR FITNESS FOR A PARTICULAR PURPOSE, OR ANY OTHER WARRANTY OBLIGATION ON THE PART EARTHWAY, AND ALL SUCH WARRANTIES ARE EXPRESSLY DISCLAIMED. In the event that applicable law prevents the disclaimer of any implied warranties, then such implied warranty shall be limited to the fullest extent permitted by law. Without limiting the foregoing, if applicable prevents the disclaimer of any such implied warranties, this limited warranty limits the period of time in which a claim for breach of implied warranties, including but not limited to the implied warranty of merchantability or fitness for a particular purpose, may be filed. In such event, any claim for breach of implied warranty must be brought before the expiration of this express lim

HOW TO ORDER SPARE PARTS – CALL or EMAIL:

TURF DEPOT 800-305-9255 or *earthway@turfdepot.com*



(90308/9) 8-Gallon Sprayer					
SERIES	PART #	DESCRIPTION	SERIES	PART #	DESCRIPTION
1	90319	Sprayer Painted Handle Assembly	7	90946	Connection Hose: 3/8 ID 1/2 OD PVC Tube
2	90323	SEAFLO 1.3 GPM Pump	8	70138	Pneumatic Drive Wheel Stud
3	90320	Sprayer Painted Body Assembly	9	25723	Frame Foot
4	38164	Hardware Pack Sprayer	10	24500	Axle
5	25222	Lower Handle SQ	11	44249	Frame Brace
6	25108	Frame	12	99355	Spray Boom