

SIDE SPREAD CONTROL

Patent U.S. 10,993,368



Your EarthWay spreader includes a patented feature to prevent fertilizer from being spread to the left side.

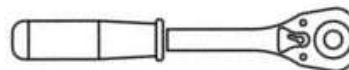
Unlike competitor designs that waste fertilizer, side spread control keeps unneeded fertilizer off sidewalks, driveways, and parking lots. Read **OPERATING INSTRUCTIONS** (Page 5) to activate this feature.

PRIOR TO ASSEMBLY, YOU WILL NEED:

7/16" Wrench



Ratchet



7/16" Socket Pliers

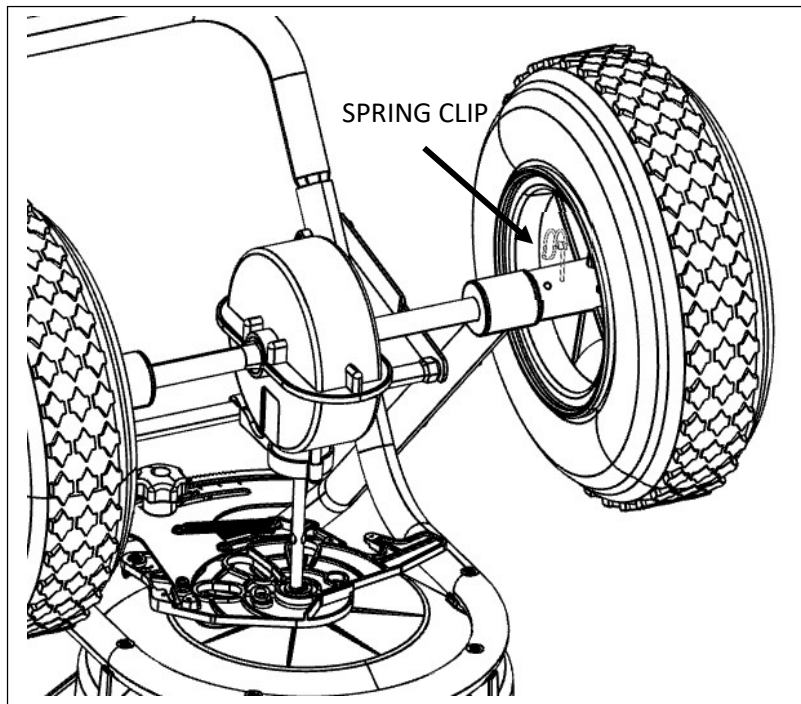


HELPFUL HINTS

- ☑ Read the directions before assembly.
- ☑ If your spreader does not spread evenly, be sure "FRONT" on the GEARBOX points to the front of the spreader. **The impeller must turn clockwise when pushing forward.** Reversing the GEARBOX during assembly will negatively impact spread quality.
- ☑ Your spreader is calibrated for three miles per hour, which is a brisk walking speed. Slower or faster speeds will change the spread pattern. Wet fertilizer will also change the spread pattern and flow rate. **Do not use powdered materials as it will damage the gearbox.**
- ☑ Gears are permanently lubricated at the factory. Do not open the GEARBOX or dirt may enter.

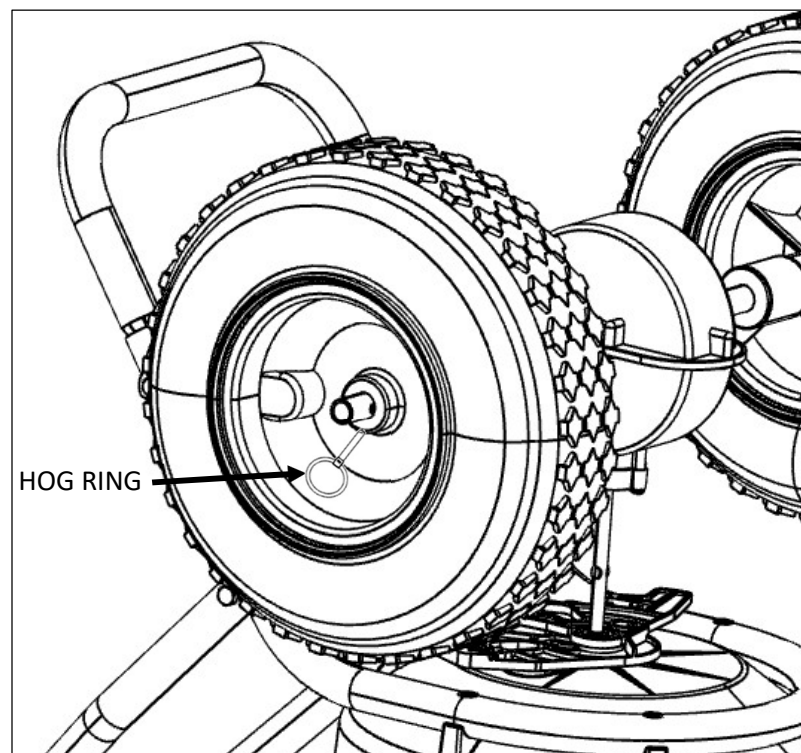
Step 1: Install DRIVE WHEEL onto the AXLE and align with the Spring Clip hole nearest to the LOWER HANDLES as shown. Insert spring clip through WHEEL AND through AXLE. Fold the spring clip to prevent the clip from falling out.

Spring Clip



Step 2: Install COAST WHEEL onto the AXLE fully. The axle and axle hole will protrude through the rim. Insert "Hog Ring" through AXLE (not thru the wheel). Fold hog ring over to spring it into the folded position which will prevent the ring from falling out and keep the wheel from leaving the axle.

Hog Ring

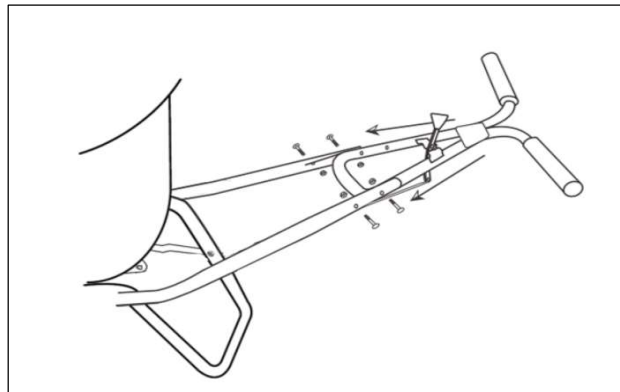


Step 3: Install UPPER HANDLE ASSEMBLY TO THE LOWER HANDLES. Use the ¼-20x2" bolts and locknuts.

Step 4: Install the bent end of the CONTROL ROD to the SHUT OFF PLATE. Move the SHUT-OFF PLATE to the setting of 30.

Step 5: Move the CONTROL LEVER to a 90° angle. Thread the SWIVEL ADJUSTING PIN on the CONTROL ROD to align with the hole in the CONTROL LEVER. Secure with the hairpin.

Step 6: Ensure the SHUT-OFF PLATE fully Opens and Closes. Refer to STEP 4 if the unit does not open and close fully.



SPREADER SETTING INSTRUCTIONS

Step 1: locate how many pounds per 1000 square feet you are planning to spread on the rate label on the back of the hopper.

Step 2: With the unit closed loosen the control knob on the bottom of the rate plate. Slide the rate indicator over the desired setting rate.

Step 3: Once the desired setting is selected tighten the rate control knob.

TIP: If your rate setting is in an increment of 5, you will be able to see the setting rate number in the circle on the rate indicator.



CUSTOMER SERVICE

SUPPORT@EARTHWAY.COM | www.EARTHWAY.com | 1009 Maple Street, Bristol, IN 46507



The **SideSpread-Control** is a patented innovation that is superior to side deflectors. Side deflectors block material leaving the impeller. This blocked material is now consolidated into a 2-3" wide path on the left inside wheel of your spreader. This equates to wasted fertilizer, dark green stripes, and in some cases, this extra fertilizer (seven times) will damage the lawn.

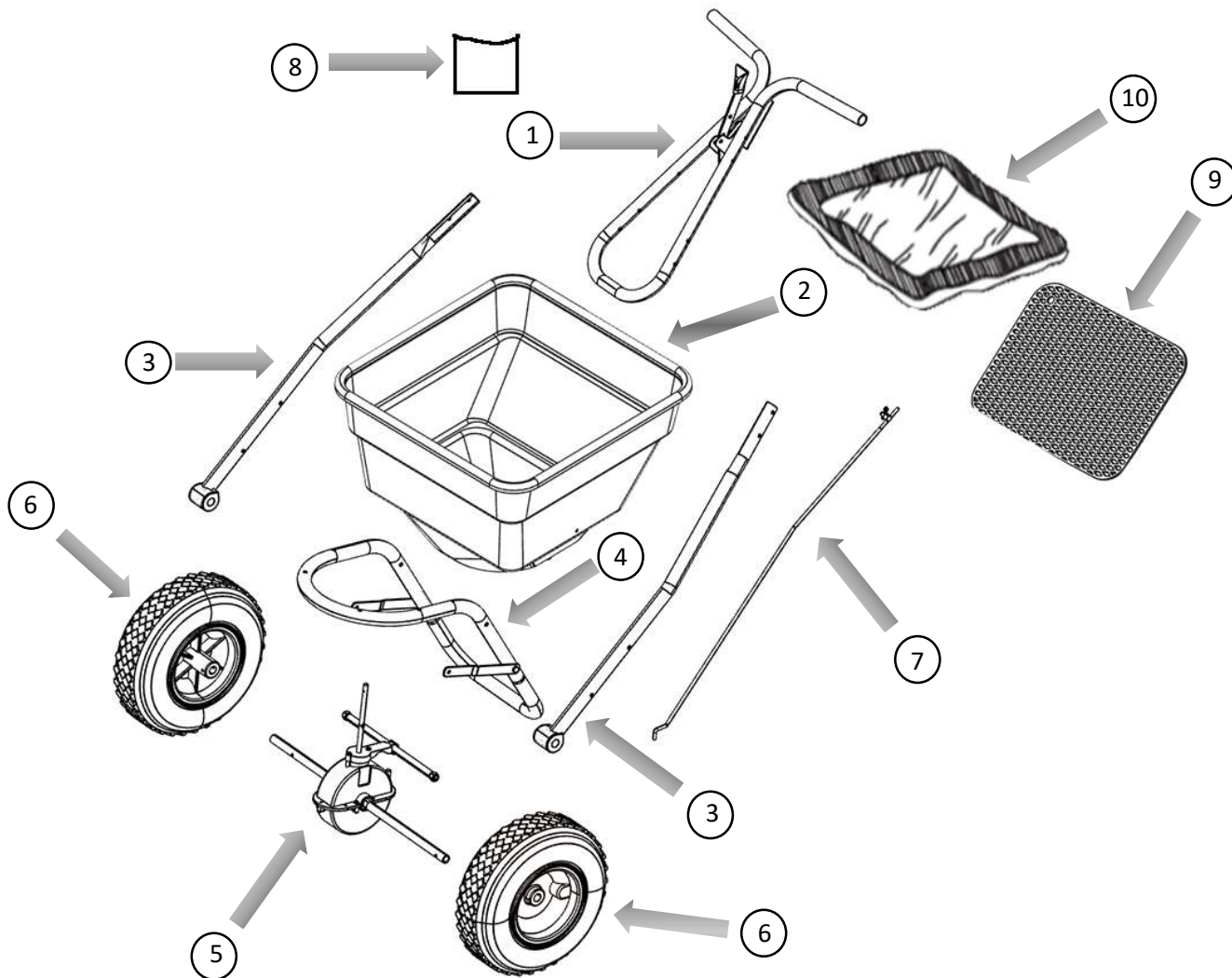
SideSpread-Control maintains the correct application rate while not placing material on driveways, sidewalks, flowerbeds, or worse, the storm drains in your street. This saves you money and keeps you from damaging your lawn.

To engage **SideSpread-Control**:

- 1) Locate the lever under the right side of the hopper.
- 2) Slide the control lever from the front to the back.
- 3) Position the left wheel of your spreader 6"–12" from the sidewalk, flowerbed, or driveway and spread as normal.
- 4) When you have completed this spreading pass, close the control lever to "0", and then open the **SideSpread-Control™** by sliding the control lever from the back to the front, for a **FULL**, 180° spread pattern.

HOW TO ORDER PARTS

Call or Email: TURF DEPOT 800-305-9255 or earthway@turfdepot.com



ITEM NO.	PART NUMBER	DESCRIPTION
1	60396	UPPER HANDLE ASSEMBLY
2	60335	HOPPER ASSEMBLY
3	25232	LOWER FRAME ASSEMBLY
4	60606	FRAME ASSEMBLY
5	60153	DRIVETRAIN
6	70138	WHEEL
7	42265	CONTROL PACK
8	38177	HARDWARE PACK
9	40003	SQUARE SCREEN
10	F77130	RAIN COVER

ONE YEAR WARRANTY

Limited Warranty

EarthWay Products, Inc. provides this limited warranty that this product is free of defects in original workmanship and materials for a period of one year to the end user with the original purchase receipt. If a manufacturing non-conformance is found, EarthWay Products, Inc. at its discretion will repair or replace the part(s)/product at no charge provided the failure is not the result of incorrect installation, mishandling, misuse, tampering, improper storage, or normal wear and tear as determined by EarthWay. Due to the corrosive nature of most fertilizers and ice melt products, EarthWay Products, Inc. makes no warranty against and specifically excludes part(s) or product degradation or failure due to corrosion or its effects .

EarthWay at its discretion may require that the part(s) or product be returned along with the original purchase receipt for examination and compliance with the terms of this limited warranty. Do not return any product without first receiving authorization from EarthWay Products, Inc. IN NO EVENT SHALL EITHER PARTY BE LIABLE TO THE OTHER FOR SPECIAL, INDIRECT, INCIDENTAL OR CONSEQUENTIAL DAMAGES, EVEN IF SUCH PARTY SHALL HAVE BEEN ADVISED OF THE POSSIBILITY OF THE SAME. To seek remedy under this limited warranty, contact EarthWay Products, Inc. at support@earthway.com or write to EarthWay Products, Inc. 1009 Maple Street, Bristol, IN 46507 and describe the nature of the manufacturing defect. SPECIFIC LIMITATIONS: This limited warranty covers only the part(s) or product; any labor charges associated with repair or replacement of non-conformances are specifically excluded.

The above-listed warranty procedure is a condition precedent to bringing any legal action to enforce this limited warranty. Any action to enforce any portion of this limited warranty must be commenced within ninety days after the expiration of the limited warranty coverage period. Any performance of repairs will not suspend this limitation period from expiring, unless state law provides otherwise. Any performance of repairs after the limited warranty coverage period has expired, or performance of repairs regarding anything excluded from coverage under this limited warranty shall be considered "good will" repairs, and they will not change the express terms of this limited warranty or extend the limited warranty coverage period.

Exclusive jurisdiction for deciding legal disputes relating to alleged breach of warranty or representations of any nature relating to this limited warranty must be filed in the courts of Elkhart County within the State of Indiana. Any and all claims, controversies, and causes of action arising out of or relating to this limited warranty, whether sounding in contract, tort or statute, will be governed by the laws of the State of Indiana, without giving effect to any choice or conflict of law provision or rule.

NO OTHER WARRANTY, EXPRESS, IMPLIED OR STATUTORY, SHALL APPLY, INCLUDING, BUT NOT LIMITED TO, ANY IMPLIED WARRANTY OF MERCHANTABILITY, APPLICATION OR FITNESS FOR A PARTICULAR PURPOSE, OR ANY OTHER WARRANTY OBLIGATION ON THE PART EARTHWAY, AND ALL SUCH WARRANTIES ARE EXPRESSLY DISCLAIMED. In the event that applicable law prevents the disclaimer of any implied warranties, then such implied warranty shall be limited to the fullest extent permitted by law. Without limiting the foregoing, if applicable prevents the disclaimer of any such implied warranties, this limited warranty limits the period of time in which a claim for breach of implied warranties, including but not limited to the implied warranty of merchantability or fitness for a particular purpose, may be filed. In such event, any claim for breach of implied warranty must be brought before the expiration of this express limited warranty's one year term.