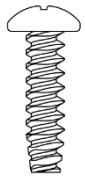


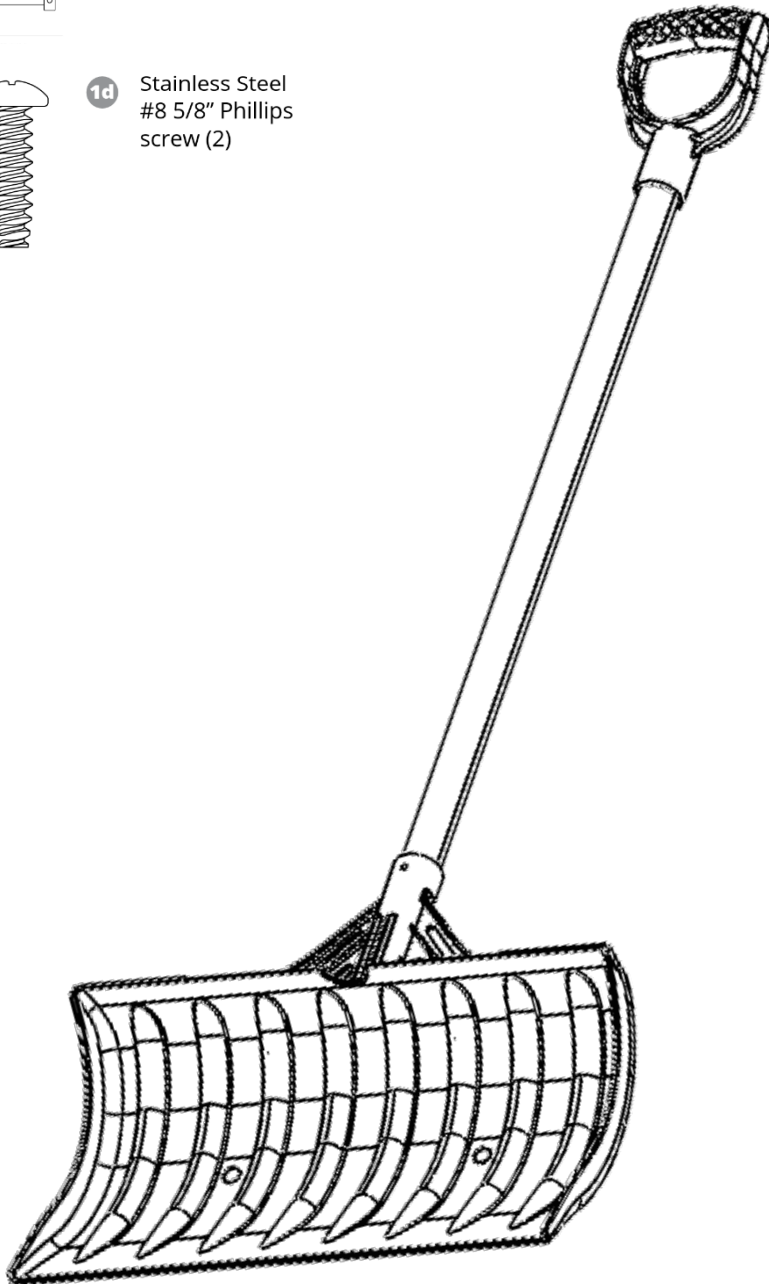
HARDWARE



1a Lynch pin (1)

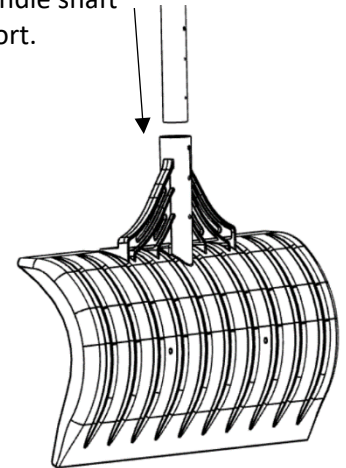


1d Stainless Steel
#8 5/8" Phillips
screw (2)

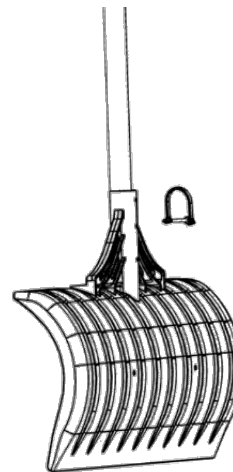


ASSEMBLY

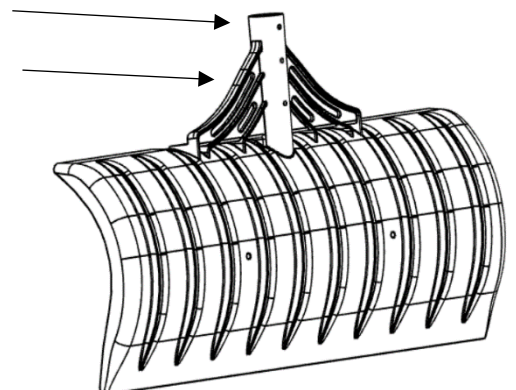
STEP 1: Insert handle shaft into pusher support.



STEP 2: Open 1a lynch pin and insert through hole at top of pusher support. Insert from back of support towards front (specifically designed to be snug in this direction).



STEP 3: Install remaining two screws 1d into lower holes of pusher support.

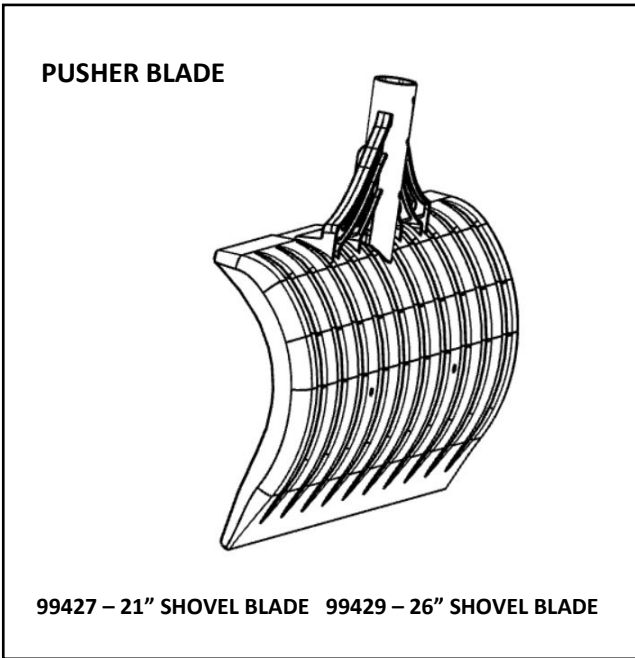


Model: 93005 (21") / 93017 (26") ASSEMBLY INSTRUCTIONS

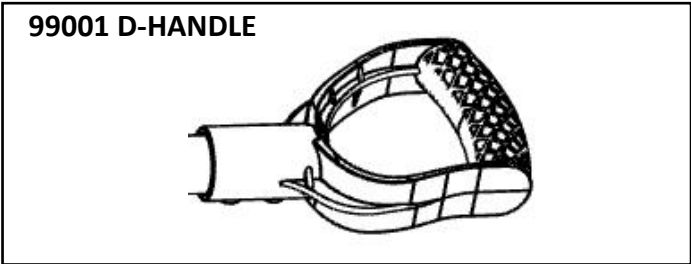
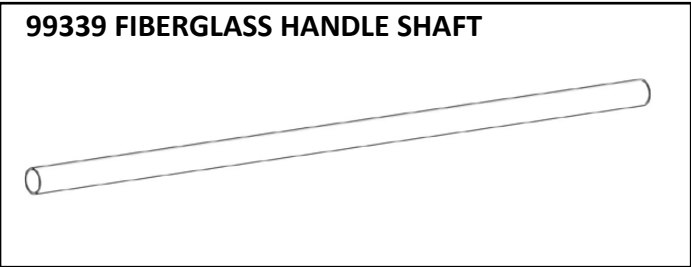
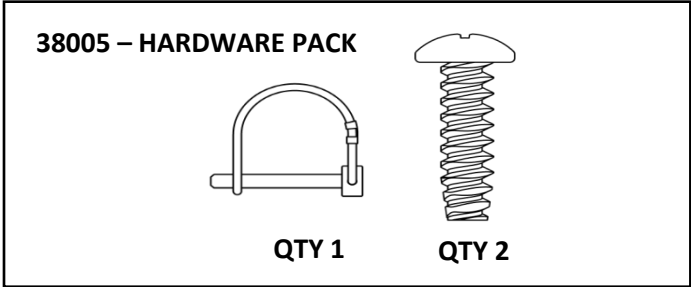
PARTS LIST

HOW TO ORDER SPARE PARTS – CALL or EMAIL:

TURF DEPOT 800-305-9255 or earthway@turfdepot.com



PACK QTY	PART NUMBER
21" SINGLE	#93005
21" 10 PACK	#93011
26" SINGLE	#93017
26" 10 PACK	#93023



CUSTOMER SERVICE

SUPPORT@EARTHWAY.COM | www.EARTHWAY.com | 1009 Maple Street, Bristol, IN 46507

ONE YEAR WARRANTY

EarthWay Products, Inc. warrants this product free of defects in original workmanship and materials for a period of one year to the end user with the original purchase receipt. If a manufacturing non-conformance is found, EarthWay Products, Inc. at its discretion will repair or replace the part(s)/product at no charge provided the failure is not the result of incorrect installation, mishandling, misuse, tampering, or normal wear and tear as determined by EarthWay.

EarthWay at its discretion may require that the part(s) or product be returned along with the original purchase receipt for examination and compliance with the terms of this warranty. Do not return any product without first receiving authorization from EarthWay Products, Inc.

To seek remedy under this warranty, contact EarthWay Products, Inc. at support@earthway.com or write to EarthWay Products, Inc. 1009 Maple Street, Bristol, IN 46507 and describe the nature of the manufacturing defect. SPECIFIC LIMITATIONS: This warranty covers only the part(s) or product; any labor charges associated with repair or replacement of non-conformances are specifically excluded. Due to the corrosive nature of most fertilizers and ice melt products, EarthWay Products, Inc. makes no warranty against and specifically excludes part(s) or product degradation or failure due to corrosion or its effects.