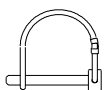




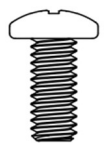
HARDWARE



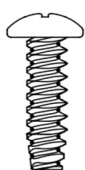
1a Lynch Pin (1)
(image not to scale)



1b Stainless Nylon
1/4" Lock Nut (4)



1c Stainless Steel
1/4" x 20 Bolt (4)

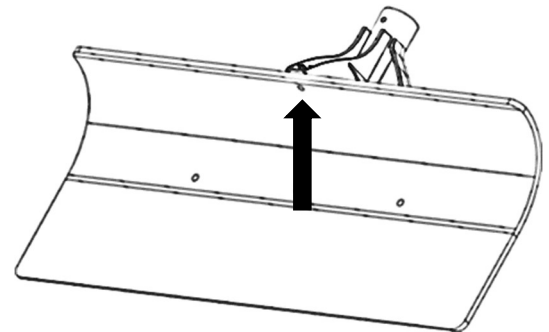


1d Stainless Steel
#8 5/8" Phillips
screw (2)

ASSEMBLY

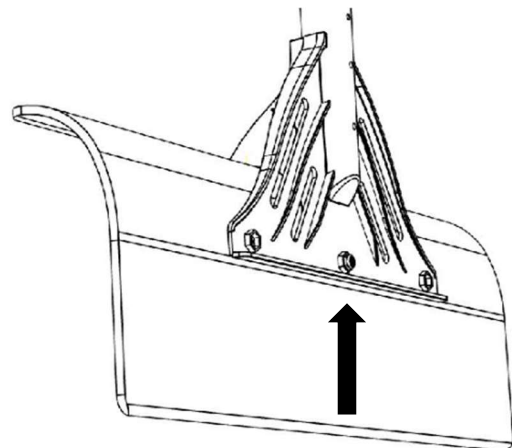
1

Attach pusher blade to pusher support by inserting (1) Stainless Steel Bolt (Key# 1C) into center hole at the top of blade going all the way through the support. Thread nut onto bolt but do not tighten all the way.



2

Insert (1) Stainless Steel Bolt (Key# 1C) through the middle hole on the front of the pusher blade. Secure with (1) lock nut (Key# 1B) on the back of support. Grasp

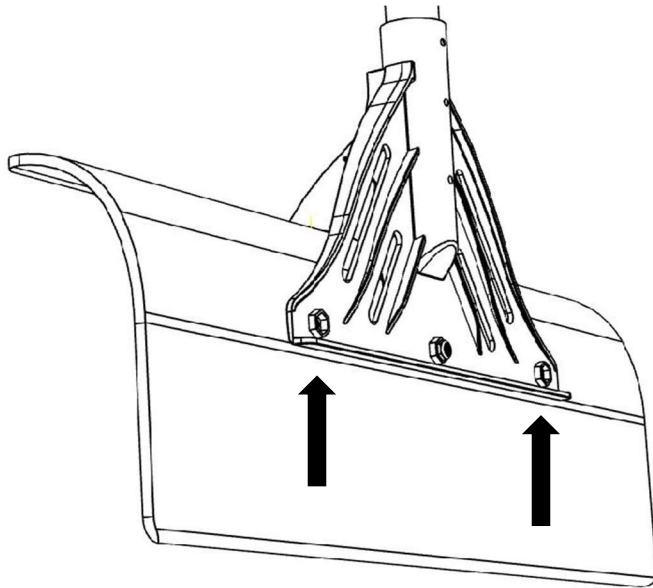


ASSEMBLY

3

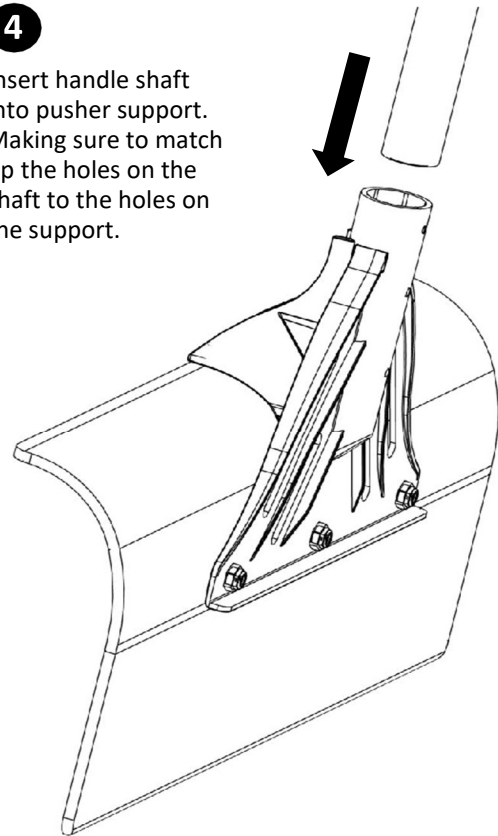
Insert remaining (2) Stainless Steel Bolts (Key# 1C) through the remaining blade holes. Secure with lock nuts (Key# 1B).

Tighten all bolts now, use needle nose pliers to tighten nut from Step 1.



4

Insert handle shaft into pusher support. Making sure to match up the holes on the shaft to the holes on the support.

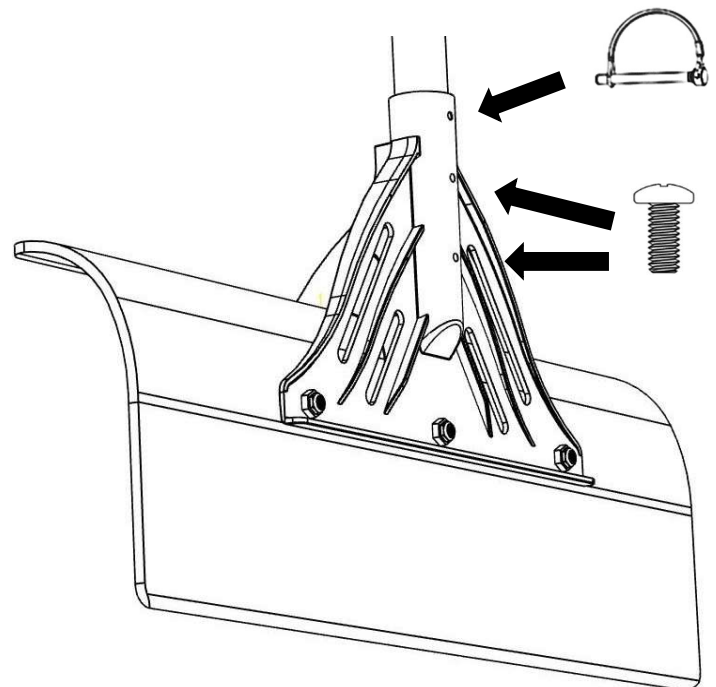


5

Open Lynch Pin (Key# 1A) and insert through the hole at top of pusher support. Insert pin from the back of the support moving towards the front (this is designed to be sung).

6

Install (2) Stainless Steel Screws (Key# 1D) into the lower two holes on the pusher support (located under the lynch pin). No lock nuts are needed to keep these screws secure.

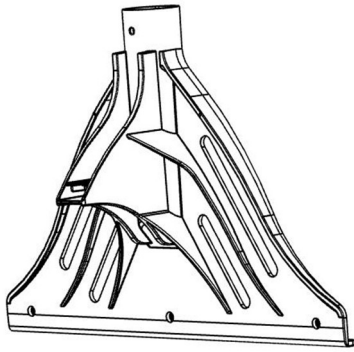


24", 30", 36", & 48"

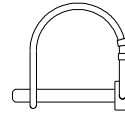
ASSEMBLY INSTRUCTIONS

PARTS LIST

99003 PUSHER SUPPORT



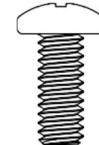
38002 HARDWARE PACK



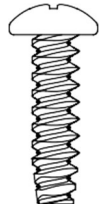
(QTY1)



(QTY4)



(QTY4)

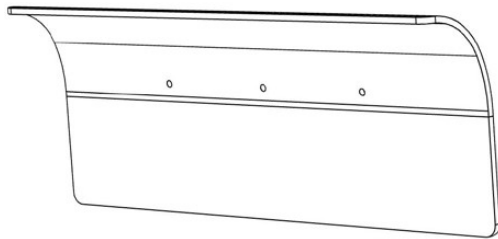


(QTY2)

99339 FIBERGLASS HANDLE SHAFT

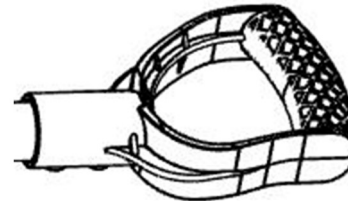


PUSHER BLADE



99050	24" SHOVEL BLADE	99052	36" SHOVEL BLADE
99051	30" SHOVEL BLADE	99053	48" SHOVEL BLADE

99001 D-HANDLE



HOW TO ORDER PARTS

Call or Email: TURF DEPOT 800-305-9255 or earthway@turfdepot.com

CUSTOMER SERVICE

SUPPORT@EARTHWAY.COM | www.EARTHWAY.com | 1009 Maple Street, Bristol, IN 46507

ONE YEAR WARRANTY

Limited Warranty

EarthWay Products, Inc. provides this limited warranty that this product is free of defects in original workmanship and materials for a period of one year to the end user with the original purchase receipt. If a manufacturing non-conformance is found, EarthWay Products, Inc. at its discretion will repair or replace the part(s)/product at no charge provided the failure is not the result of incorrect installation, mishandling, misuse, tampering, improper storage, or normal wear and tear as determined by EarthWay. Due to the corrosive nature of most fertilizers and ice melt products, EarthWay Products, Inc. makes no warranty against and specifically excludes part(s) or product degradation or failure due to corrosion or its effects .

EarthWay at its discretion may require that the part(s) or product be returned along with the original purchase receipt for examination and compliance with the terms of this limited warranty. Do not return any product without first receiving authorization from EarthWay Products, Inc. IN NO EVENT SHALL EITHER PARTY BE LIABLE TO THE OTHER FOR SPECIAL, INDIRECT, INCIDENTAL OR CONSEQUENTIAL DAMAGES, EVEN IF SUCH PARTY SHALL HAVE BEEN ADVISED OF THE POSSIBILITY OF THE SAME. To seek remedy under this limited warranty, contact EarthWay Products, Inc. at support@earthway.com or write to EarthWay Products, Inc. 1009 Maple Street, Bristol, IN 46507 and describe the nature of the manufacturing defect. SPECIFIC LIMITATIONS: This limited warranty covers only the part(s) or product; any labor charges associated with repair or replacement of non-conformances are specifically excluded.

The above-listed warranty procedure is a condition precedent to bringing any legal action to enforce this limited warranty. Any action to enforce any portion of this limited warranty must be commenced within ninety days after the expiration of the limited warranty coverage period. Any performance of repairs will not suspend this limitation period from expiring, unless state law provides otherwise. Any performance of repairs after the limited warranty coverage period has expired, or performance of repairs regarding anything excluded from coverage under this limited warranty shall be considered "good will" repairs, and they will not change the express terms of this limited warranty or extend the limited warranty coverage period.

Exclusive jurisdiction for deciding legal disputes relating to alleged breach of warranty or representations of any nature relating to this limited warranty must be filed in the courts of Elkhart County within the State of Indiana. Any and all claims, controversies, and causes of action arising out of or relating to this limited warranty, whether sounding in contract, tort or statute, will be governed by the laws of the State of Indiana, without giving effect to any choice or conflict of law provision or rule.

NO OTHER WARRANTY, EXPRESS, IMPLIED OR STATUTORY, SHALL APPLY, INCLUDING, BUT NOT LIMITED TO, ANY IMPLIED WARRANTY OF MERCHANTABILITY, APPLICATION OR FITNESS FOR A PARTICULAR PURPOSE, OR ANY OTHER WARRANTY OBLIGATION ON THE PART EARTHWAY, AND ALL SUCH WARRANTIES ARE EXPRESSLY DISCLAIMED. In the event that applicable law prevents the disclaimer of any implied warranties, then such implied warranty shall be limited to the fullest extent permitted by law. Without limiting the foregoing, if applicable prevents the disclaimer of any such implied warranties, this limited warranty limits the period of time in which a claim for breach of implied warranties, including but not limited to the implied warranty of merchantability or fitness for a particular purpose, may be filed. In such event, any claim for breach of implied warranty must be brought before the expiration of this express limited warranty's one year term.