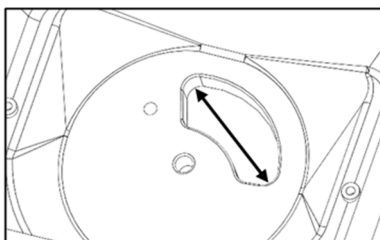




*Thank you for selecting EarthWay for your spreader needs. Our production team in Northern Indiana takes pride in building this*

*spreader. spreader. Our customer support team is standing ready to ensure your success. Please contact us at [www.EarthWay.com](http://www.EarthWay.com) to see our full line of commercial, lawn & garden tools.*

**NOTE: The large opening is designed to allow ice melt to flow through spreader without the need for an agitator. This unit is not designed for fertilizer.**



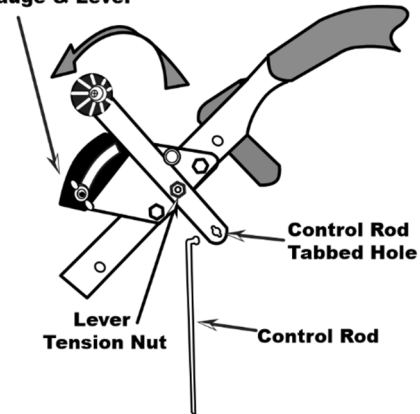
ICE MELT - LARGE OPENING

For spreading fertilizer, please select the right spreader.

## ASSEMBLY

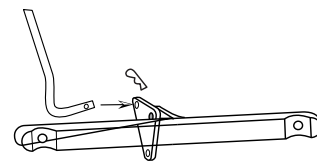
**STEP 1:** Remove spreader from carton and pull handle into position shown at right. Tighten wingnuts to secure.

### Gauge & Lever



**STEP 2:** Install CONTROL ROD into handle as shown above. TIP: Install the CONTROL ROD using pliers to squeeze into LEVER.

**STEP 3: ROTATE FORWARD** Insert CONTROL ROD into pivot at bottom of hopper and secure with hair pin clip (Shown to the right.)



## HELPFUL HINTS

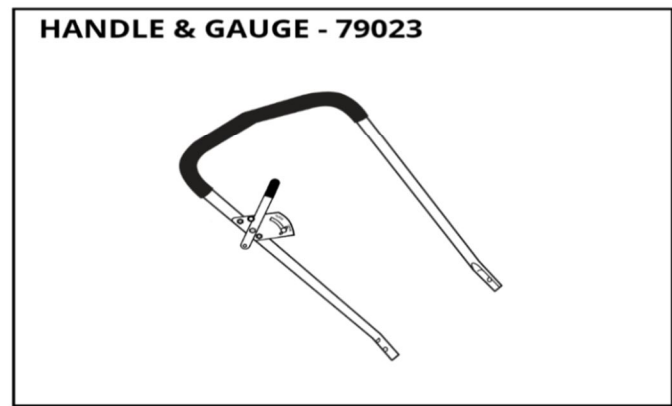
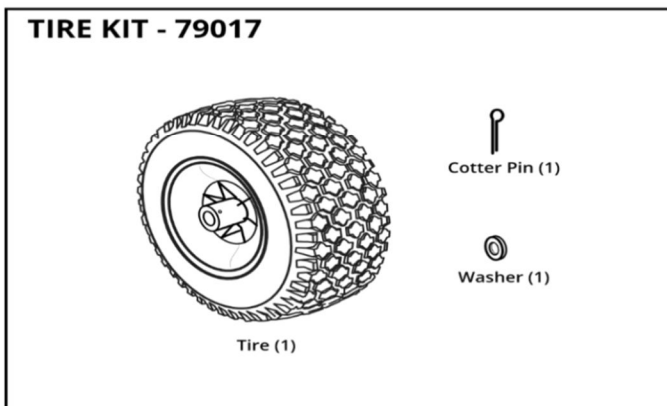
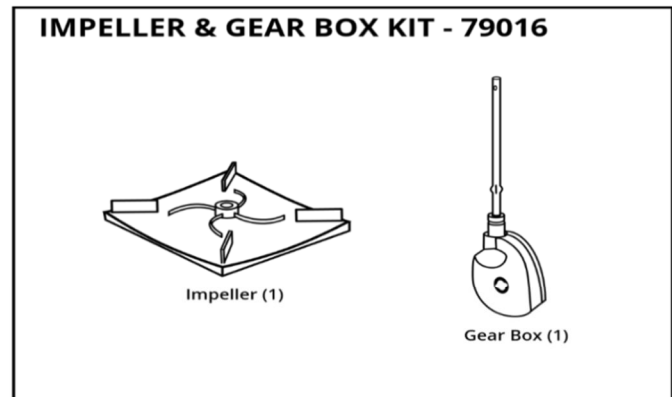
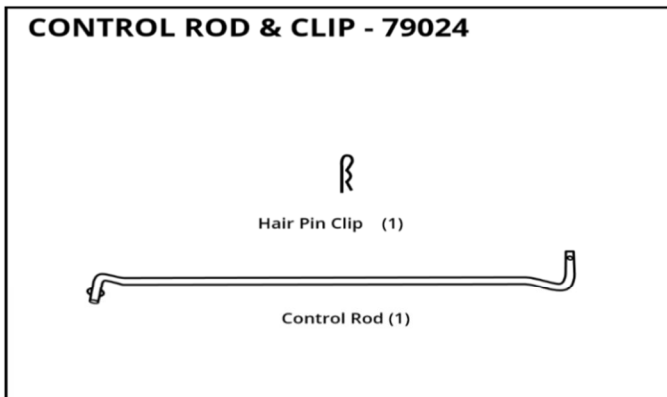
Your ice melt spreader is almost ready to use. Attaching the CONTROL ROD and unfolding the handle will require a pair of pliers to insert pins to secure the CONTROL ROD. **NOTE: The large opening is designed to allow ice melt to flow through spreader without the need for an agitator. This unit is not designed for fertilizer**

- ☑ Your spreader is designed to be pushed at three miles per hour, which is a brisk walking speed. Slower or faster speeds will change the spread patterns.
- ☑ Prior to your first use, coat all metal parts (outside and inside of open-ended tubing) with WD-40 or other spray lube to help prevent corrosion.
- ☑ Clean your spreader thoroughly after each use. Wash with clean water and dry thoroughly and spray a light coating of oil on all metal parts (inside open end of tubing) to help prevent corrosion).
- ☑ Gears are permanently lubricated at the factory. Do not open the GEARBOX or dirt may enter.

## PARTS LIST

### HOW TO ORDER SPARE PARTS – CALL or EMAIL:

TURF DEPOT 800-305-9255 or [earthway@turfdpot.com](mailto:earthway@turfdpot.com)



---

## **CUSTOMER SERVICE**

[SUPPORT@EARTHWAY.COM](mailto:SUPPORT@EARTHWAY.COM) | [www.EARTHWAY.com](http://www.EARTHWAY.com) | 1009 Maple Street, Bristol, IN 46507

---

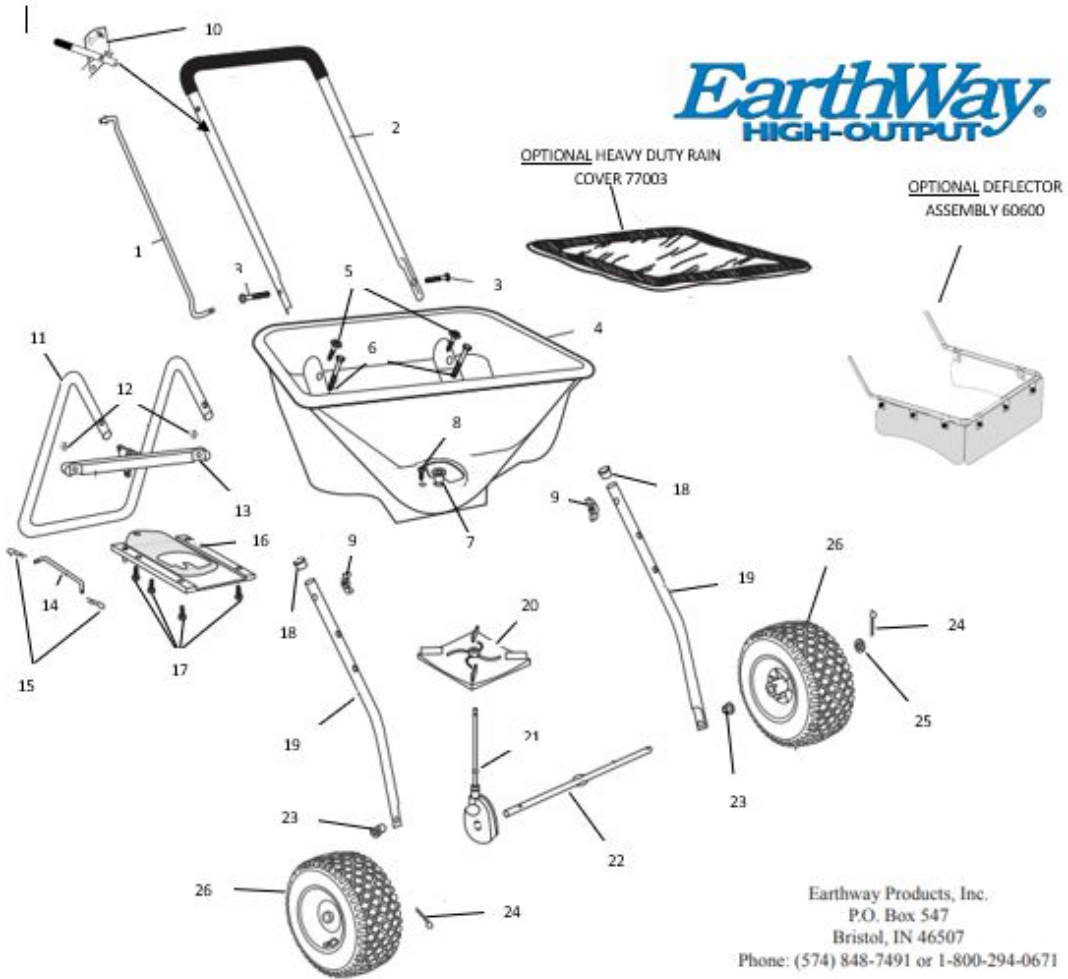
## **ONE YEAR WARRANTY**

EarthWay Products, Inc. warrants this product free of defects in original workmanship and materials for a period of one year to the end user with the original purchase receipt. If a manufacturing non-conformance is found, EarthWay Products, Inc. at its discretion will repair or replace the part(s)/product at no charge provided the failure is not the result of incorrect installation, mishandling, misuse, tampering, or normal wear and tear as determined by EarthWay.

EarthWay at its discretion may require that the part(s) or product be returned along with the original purchase receipt for examination and compliance with the terms of this warranty. Do not return any product without first receiving authorization from EarthWay Products, Inc.

To seek remedy under this warranty, contact EarthWay Products, Inc. at [support@earthway.com](mailto:support@earthway.com) or write to EarthWay Products, Inc. 1009 Maple Street, Bristol, IN 46507 and describe the nature of the manufacturing defect. **SPECIFIC LIMITATIONS:** This warranty covers only the part(s) or product; any labor charges associated with repair or replacement of non-conformances are specifically excluded. Due to the corrosive nature of most fertilizers and ice melt products, EarthWay Products, Inc. makes no warranty against and specifically excludes part(s) or product degradation or failure due to corrosion or its effects.

## MODEL # 90950 ASSEMBLY INSTRUCTIONS



KEY #	PART #	DESCRIPTION	KEY #	PART #	DESCRIPTION
1	79024	CONTROL ROD KIT	14	41279	PIVOT ROD
2	60367	UPPER HANDLE W/GRIP	15	36102	COTTER PIN BOW TIE
3	37116	CARRIAGE BOLT	16	12230PIR	SHUTOFF ASSEMBLY
4	60264	HOPPER ASSEMBLY	17	31122	SCREW-1/4-20 X 1 1/4
5	31141	SCREW-14X 3/4	18	19132	7/8 TUBE PLUG
6	36213	SCREW1/4-20 X 2 1/2	19	25721	LOWER HANDLE
7	12259	HOPPER BUSHING	20	12248	IMPELLER
8	31122	SCREW-8 X 5 1/8	21	60451	GEARBOX
9	32107	WING NUT	22	23519	AXLE
10	60499	GAUGE AND LEVER ASSEMBLY	23	12197	SPACER BEARING
11	25720PIR	STAND	24	33106	1/8 X 3/4 COTTER PIN
12	32103	LOCK NUT -1/4-20	25	34103	10D X 17/32 ID X 1/32 WASHER
13	12295	CONTROL ASSEMBLY	26	70149	9" PNEUMATIC WHEEL