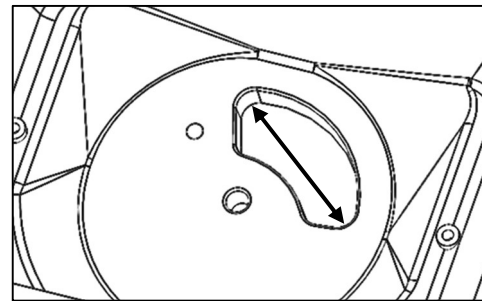




Thank you for selecting EarthWay for your spreader needs. Our production team in Northern Indiana takes pride in building this spreader. Our customer support team is standing ready to ensure your success. Please contact us at www.EarthWay.com to see our full line of commercial, lawn & garden tools.

NOTE: The large opening is designed to allow ice melt to flow through spreader without the need for an agitator. This unit is not designed for fertilizer.

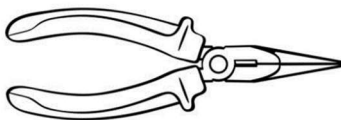


ICE MELT - LARGE OPENING

For spreading fertilizer, please select the right tool – an EarthWay precision fertilizer spreader.

Prior to assembly, you will need the following tools:

Needle nose pliers



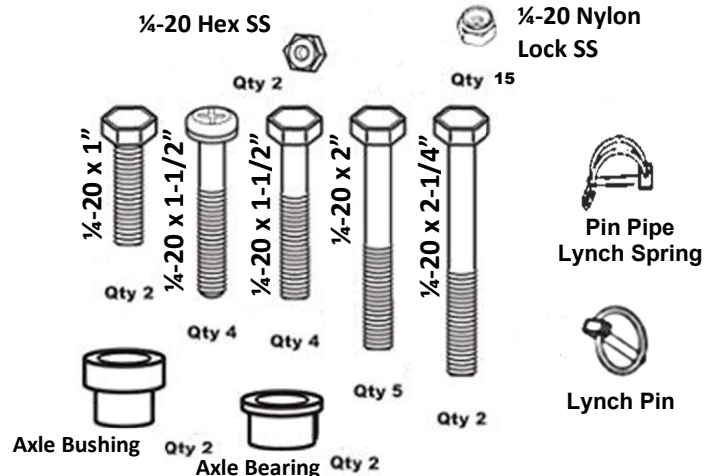
#2 Phillips screwdriver



Adjustable wrench or 1/2" box wrench



ASSEMBLY HARDWARE

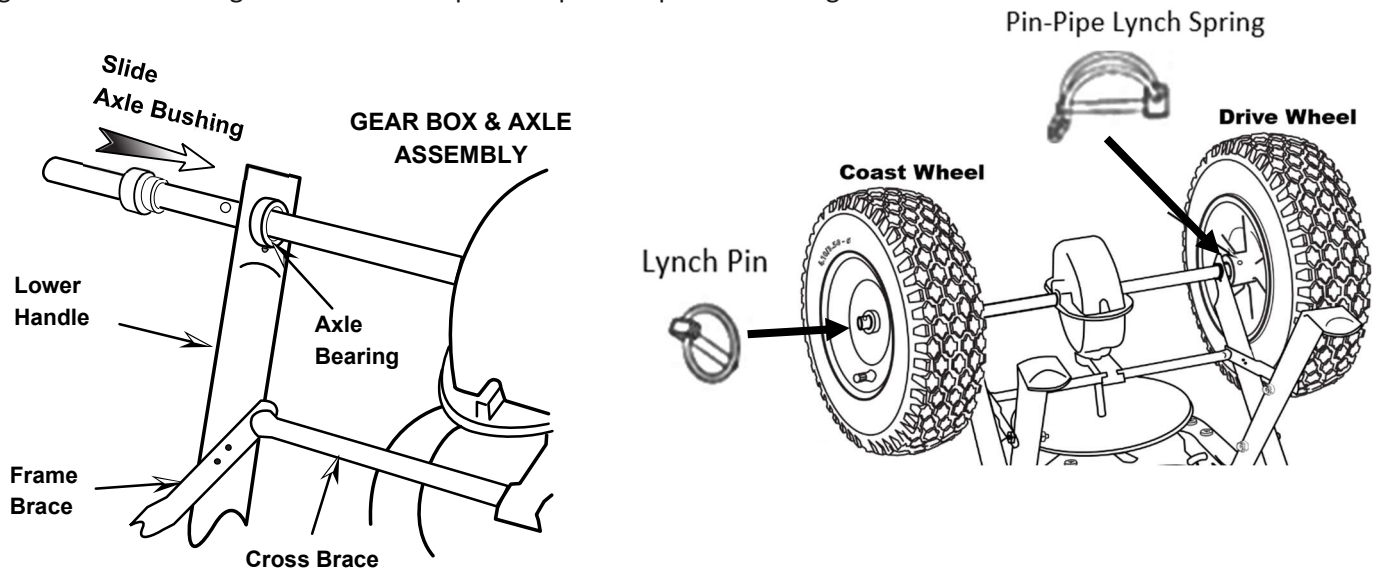


ASSEMBLY INSTRUCTIONS

STEP 1: Open carton and remove the handle assembly, wheels, and spreader.

STEP 2: Turn spreader upside-down on to the hopper

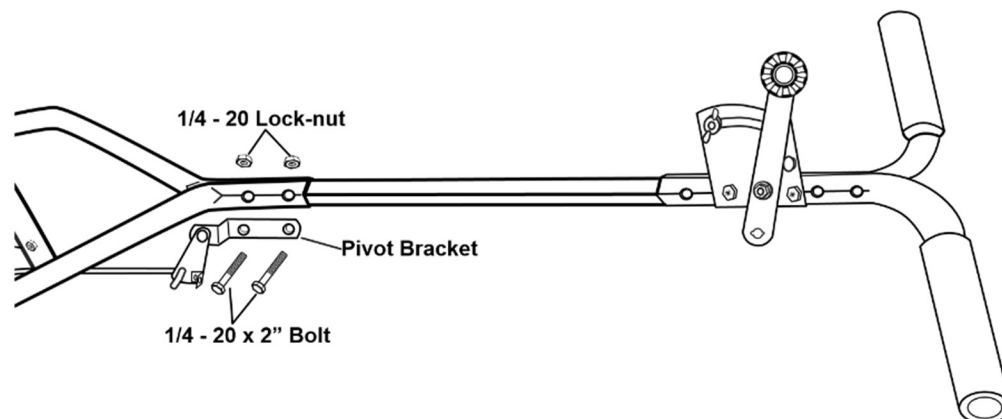
STEP 3: Ensure that the axle bearings are pushed into the axle bushing on both sides as shown. Install drive wheel (wheels are interchangeable) to axle using pin hole nearest to lower handles as shown. Insert Pin-Pipe Lynch Spring through wheel and through axle. Bend with pliers to prevent pin from falling out.



STEP 4: Install coast wheel to axle, then using outside pin hole as shown above, insert lynch pin through axle (not thru the wheel). Bend with pliers to prevent pin from falling out.

STEP 5: Install handle shaft to lower handles and pivot & bracket assembly as shown using 2" bolts and locknuts.

TIGHTEN BOLTS AND NUTS NOW.



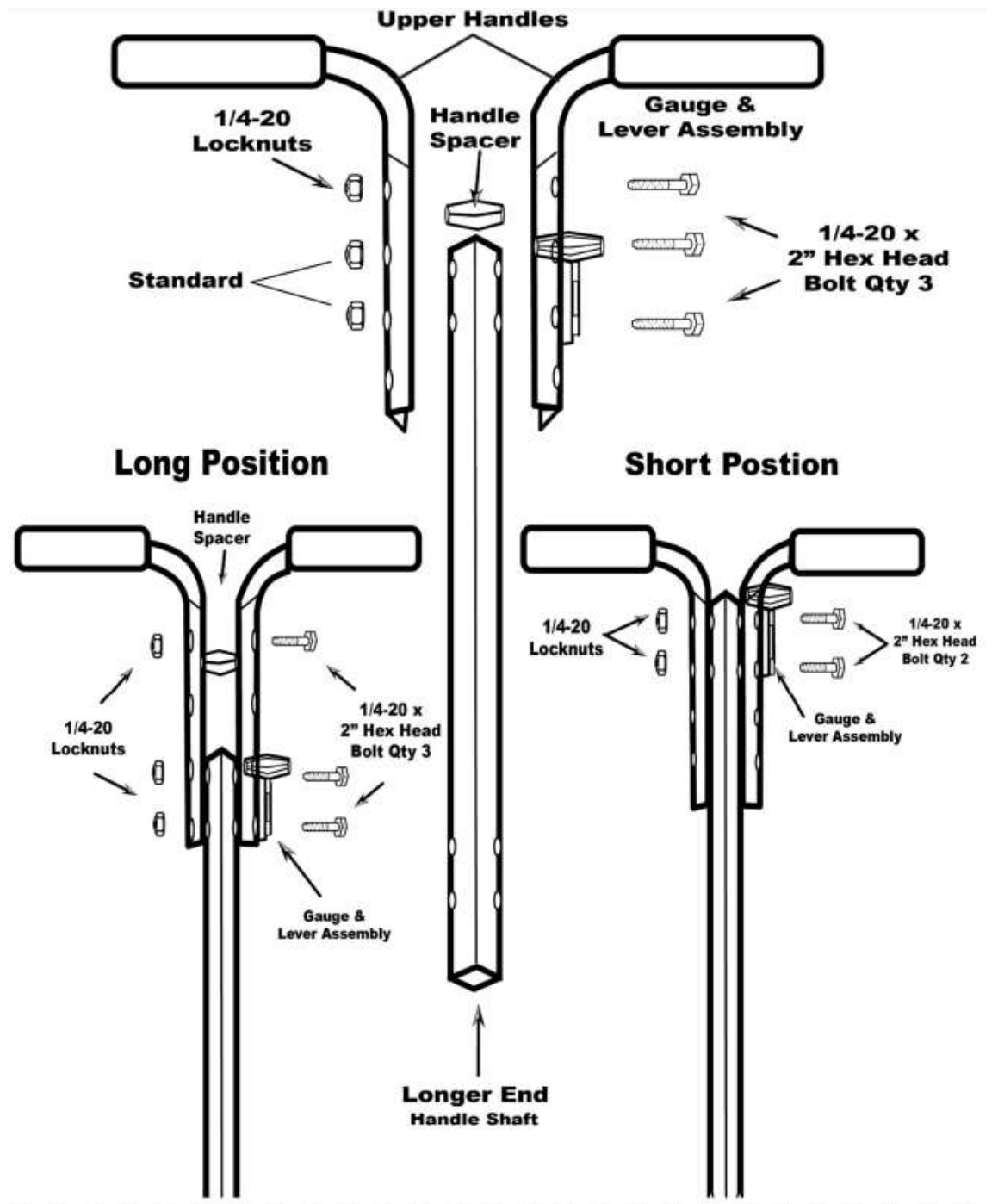
STEP 6: This step is only required if you want to change the position of the handles.

NOTE: BEFORE INSTALLING GAUGE AND UPPER HANDLES TO HANDLE SHAFT, UPPER HANDLES FEATURE THREE POSITIONS FOR OPERATOR'S COMFORT.

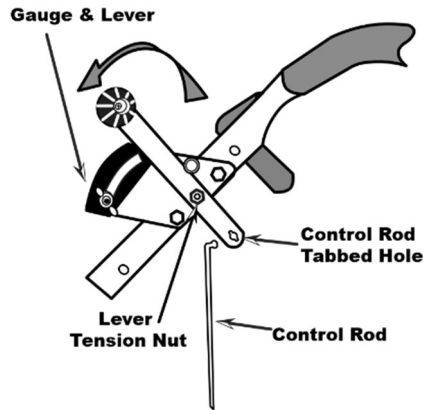
If the operator chooses middle or upper positions, use handle spacer in hole nearest to handle grips.

Insert 2" bolt through upper handle, then through handle spacer through other upper handle and secure with locknut. **DO NOT TIGHTEN LOCKNUT YET. TIGHTEN THIS NUT LAST.**

Now slide the **UPPER HANDLE** assembly over the **HANDLE SHAFT** (on the end with the bolt holes closer to the end). Install gauge & lever using (2) 2" bolts. Be sure gauge is on left hand side. Tighten locknuts to gauge first. **TIGHTEN ALL HARDWARE NOW.**

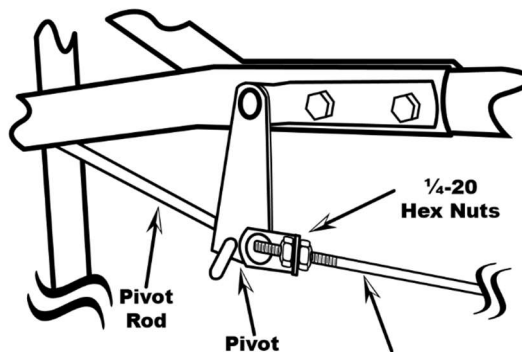


STEP 7: Install Control Rod by inserting flattened end of Control Rod into Lever on Gauge as shown. Turn to lock in place. *{Make sure that there is a plain 1/4 -20 Hex Nut threaded about halfway up the threads}.*



Push lever forward to full OPEN setting. Align and push the Control Rod through the angle attached to the Pivot Bracket. Now install 1/4 -20 regular nut on to Control Rod. *{One nut on either side of the angled plate}.*

Next pull pivot & bracket back so that the shut off plate in the hopper is in the full open position and adjust the Hex Nuts on the Pivot Bracket angle to secure the angled bracket. Now tighten the nuts against the pivot angled bracket to prevent change in calibration.



OPERATING INSTRUCTIONS

Before filling hopper, become familiar with the operation of this spreader.

- ☑ Move stop bolt on rate gauge assembly to the proper setting.
- ☑ While pushing the spreader forward, pull control lever back to stop bolt.
- ☑ To stop, push lever forward to close flow holes before you stop moving.
- ☑ When finished, empty any remaining material from hopper.
- ☑ Thoroughly wash spreader and dry before storing. A coating of light oil will help prevent corrosion.

HELPFUL HINTS

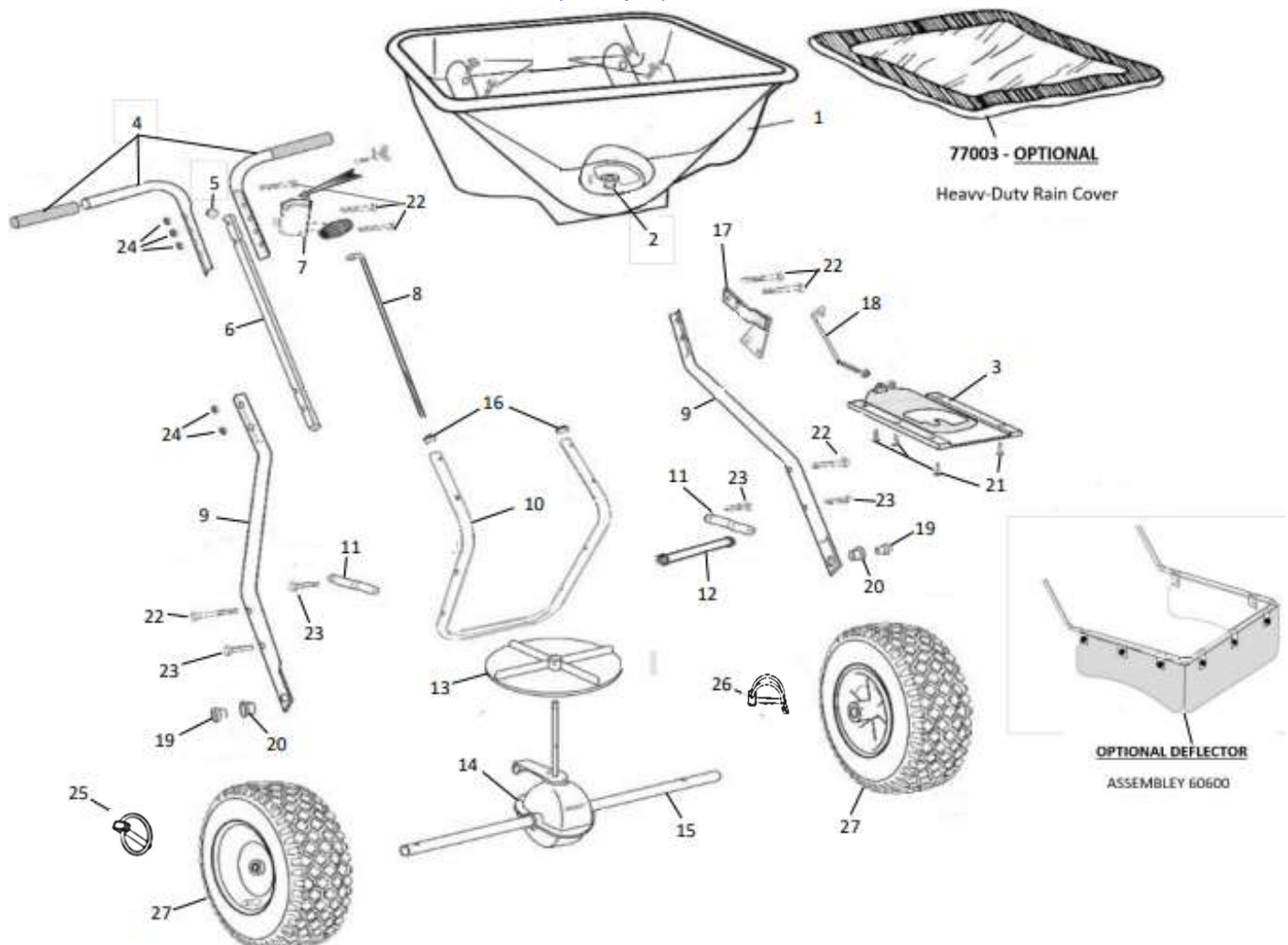
- ☑ Read the directions before assembly.
- ☑ If your spreader does not spread evenly, be sure "FRONT" on the GEARBOX points to the front of the spreader. **The impeller must turn clockwise when pushing forward.** Reversing the GEARBOX during assembly will cause issues.
- ☑ Your spreader is calibrated for three miles per hour, which is a brisk walking speed. Slower or faster speeds will change the spread pattern. **Do not use powdered materials as it will damage the gearbox.**
- ☑ Gears are permanently lubricated at the factory. Do not open the GEARBOX or dirt may enter.

CUSTOMER SERVICE

SUPPORT@EARTHWAY.COM | www.EARTHWAY.com | 1009 Maple Street, Bristol, IN 46507

HOW TO ORDER PARTS

Call or Email: TURF DEPOT 800-305-9255 or earthway@turfdepot.com



MODEL # 90365 ASSEMBLY INSTRUCTIONS

KEY	PART#	DESCRIPTION
1	60264	HOPPER ONLY
2	12220	GEAR BOX BUSHING
3	12345	SHUTOFF ASSEMBLY
4	60175	UPPER HANDLE SQ w/GRIPS
5	12344	HANDLE SPACER
6	25223	HANDLE SHAFT SQ.
7	60499	GAUGE & LEVER ASSEMBLY
8	42256	CONTROL ROD
9	25222	LOWER HANDLE SQ
10	25724	FRAME
11	44292	FRAME BRACE
12	25228	CROSS BRACE
13	12110	IMPELLER 9" ROUND DISHED
14	60333	GEAR BOX ASSEMBLY
15	24500	AXLE
16	19132	7/8 TUBE PLUG
17	60300	PIVOT & BRACKET ASSEMBLY
18	42259	LOWER CONTROL ROD
19	12242	AXLE PLUG
20	12152	AXLE BUSHING (HDWPK38082)
21	31141	SCREW 14X3/4
22	31120	SCREW 1/4-20X2" HHCS
23	31121	SCREW 1/4-20X1 1/4" HHCS
24	32103	NUT 1/4-20 Nylon Ins Locknut
25	33115	Linch Pin (Hardware pk38082)
26	33113	Pin-Pipe Lynch Spring (Hardware Pk38082)
27	70138	Pneumatic Drive Wheel (2)
	60600	OPTIONAL Deflector Assembly
	77003	OPTIONAL Heavy-Duty Rain Cover

ONE YEAR WARRANTY

Limited Warranty

EarthWay Products, Inc. provides this limited warranty that this product is free of defects in original workmanship and materials for a period of one year to the end user with the original purchase receipt. If a manufacturing non-conformance is found, EarthWay Products, Inc. at its discretion will repair or replace the part(s)/product at no charge provided the failure is not the result of incorrect installation, mishandling, misuse, tampering, improper storage, or normal wear and tear as determined by EarthWay. Due to the corrosive nature of most fertilizers and ice melt products, EarthWay Products, Inc. makes no warranty against and specifically excludes part(s) or product degradation or failure due to corrosion or its effects .

EarthWay at its discretion may require that the part(s) or product be returned along with the original purchase receipt for examination and compliance with the terms of this limited warranty. Do not return any product without first receiving authorization from EarthWay Products, Inc. **IN NO EVENT SHALL EITHER PARTY BE LIABLE TO THE OTHER FOR SPECIAL, INDIRECT, INCIDENTAL OR CONSEQUENTIAL DAMAGES, EVEN IF SUCH PARTY SHALL HAVE BEEN ADVISED OF THE POSSIBILITY OF THE SAME.** To seek remedy under this limited warranty, contact EarthWay Products, Inc. at support@earthway.com or write to EarthWay Products, Inc. 1009 Maple Street, Bristol, IN 46507 and describe the nature of the manufacturing defect. **SPECIFIC LIMITATIONS:** This limited warranty covers only the part(s) or product; any labor charges associated with repair or replacement of non-conformances are specifically excluded.

The above-listed warranty procedure is a condition precedent to bringing any legal action to enforce this limited warranty. Any action to enforce any portion of this limited warranty must be commenced within ninety days after the expiration of the limited warranty coverage period. Any performance of repairs will not suspend this limitation period from expiring, unless state law provides otherwise. Any performance of repairs after the limited warranty coverage period has expired, or performance of repairs regarding anything excluded from coverage under this limited warranty shall be considered “good will” repairs, and they will not change the express terms of this limited warranty or extend the limited warranty coverage period.

Exclusive jurisdiction for deciding legal disputes relating to alleged breach of warranty or representations of any nature relating to this limited warranty must be filed in the courts of Elkhart County within the State of Indiana. Any and all claims, controversies, and causes of action arising out of or relating to this limited warranty, whether sounding in contract, tort or statute, will be governed by the laws of the State of Indiana, without giving effect to any choice or conflict of law provision or rule.

NO OTHER WARRANTY, EXPRESS, IMPLIED OR STATUTORY, SHALL APPLY, INCLUDING, BUT NOT LIMITED TO, ANY IMPLIED WARRANTY OF MERCHANTABILITY, APPLICATION OR FITNESS FOR A PARTICULAR PURPOSE, OR ANY OTHER WARRANTY OBLIGATION ON THE PART EARTHWAY, AND ALL SUCH WARRANTIES ARE EXPRESSLY DISCLAIMED. In the event that applicable law prevents the disclaimer of any implied warranties, then such implied warranty shall be limited to the fullest extent permitted by law. Without limiting the foregoing, if applicable prevents the disclaimer of any such implied warranties, this limited warranty limits the period of time in which a claim for breach of implied warranties, including but not limited to the implied warranty of merchantability or fitness for a particular purpose, may be filed. In such event, any claim for breach of implied warranty must be brought before the expiration of this express limited warranty’s one year term.