

# 6500 HIGH-WHEEL CULTIVATOR

## ASSEMBLY INSTRUCTIONS

**EarthWay**  
GARDEN

Congratulations on the purchase of this new Earthway High-Wheel Cultivator. Please contact us if you have any difficulty with assembly or operation of this product. We can be reached via the telephone at 800-294-0671 or 574-848-7491 Monday - Friday 9:00am ~ 4:00pm or visit us online at [www.earthway.com](http://www.earthway.com) The 6500 comes with lifetime technical support, email us at [techsupport@earthway.com](mailto:techsupport@earthway.com).

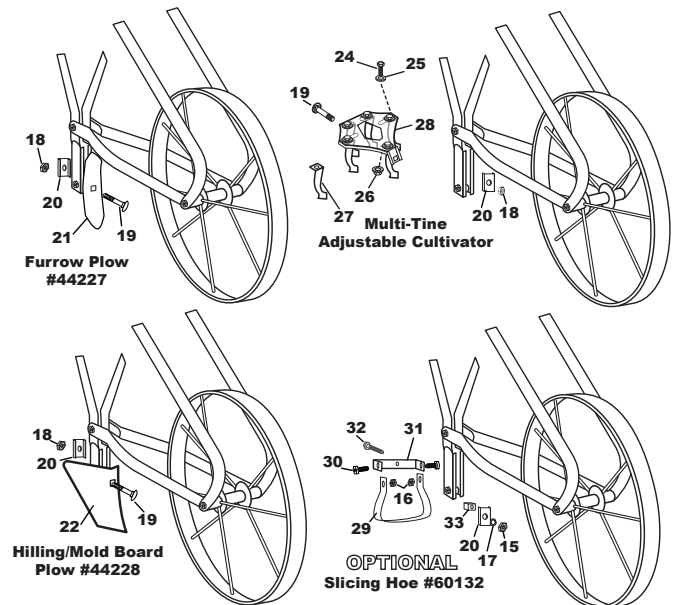
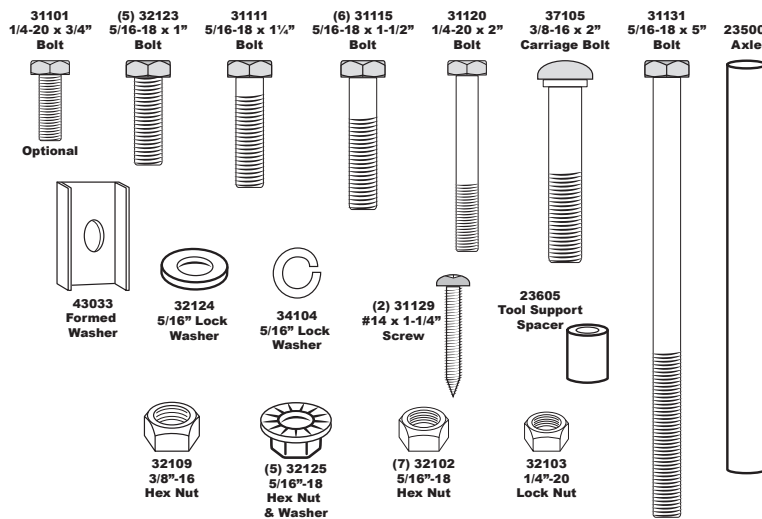
### HELPFUL HINTS: READ THE DIRECTIONS BEFORE ASSEMBLY

The 6500 will require approximately 30 minutes to assemble with common hand tools.

- Remove and identify all loose parts from carton
- Clean and dry your Cultivator thoroughly after each use.
- Coat all metal surfaces with a light oil to prevent corrosion

### ASSEMBLY STEPS

- I.** Assemble both (4) Upper and (3) Lower Handles together and secure with (12) 5/16-18 x 1 1/2" hex bolt & (15) 5/16" hex nut - do not tighten.
- II.** Assemble (7) Left and (6) Right Tool Supports, by positioning (9) Tool Support Spacer between them at the end that has only one hole as shown in the exploded view, secure using (11) 5/16-18 x 1 1/4" hex bolt and (15) hex nut and tighten. Make sure that you have the Right and Left in the correct position as shown in the exploded view.
- III.** Connect (2) Frame to the Tool Support Assembly from step 2 using (14) 1/4-20 x 2" hex bolt thru the (2) Frame and then through both (6 & 7) Tool Supports, then through (2) Frame on the other side and secure with (16) 1/4-20 lock nut, and tighten.
- IV.** Install (8) Cross Brace on to the Upper Handle and secure with (10) 1/4-20 x 1 1/2" hex bolt and (16) 1/4-20 lock nut to each side, loosely tighten.
- V.** Install (5) Axle into (23) Wheel and position between the (2) Frame rails.
- VI.** Now insert (13) 5/16-18 x 4 1/2" hex bolt through the hole in (3) Lower Handle, (2) Frame, then into (5) Axle & (23) Wheel, then (2) Frame, (3) Lower Handle and secure with (17) Lock Washer & (15) 5/16-18 hex nut, and tighten.
- VII.** Now determine a comfortable operation height and then remove (15) 5/16-18 hex nut and select one of the four adjustment holes in the top of (6 & 7) Tool Supports and secure with (15) 5/16-18 hex nut and tighten.
- VIII.** Go back and tighten all hardware.



### ASSEMBLY OF TOOLS (see above right)

#### FURROW PLOW

Place Furrow Plow in front of tool support slot. Put carriage bolt (19) through square hole in the plow and through slot in tool support. Next put formed washer (20) over carriage bolt (19) and tool support: fasten with lock nut (18) and tighten fully.

#### HILLING / MOLD BOARD PLOW

Place Hilling Plow in front of tool support slot. Put carriage bolt (19) through square hole and through slot in tool support. Next put formed washer (20) over carriage bolt (19) and tool support: fasten with lock nut (18) and tighten fully.

#### MULTI-TINE ADJUSTABLE CULTIVATOR

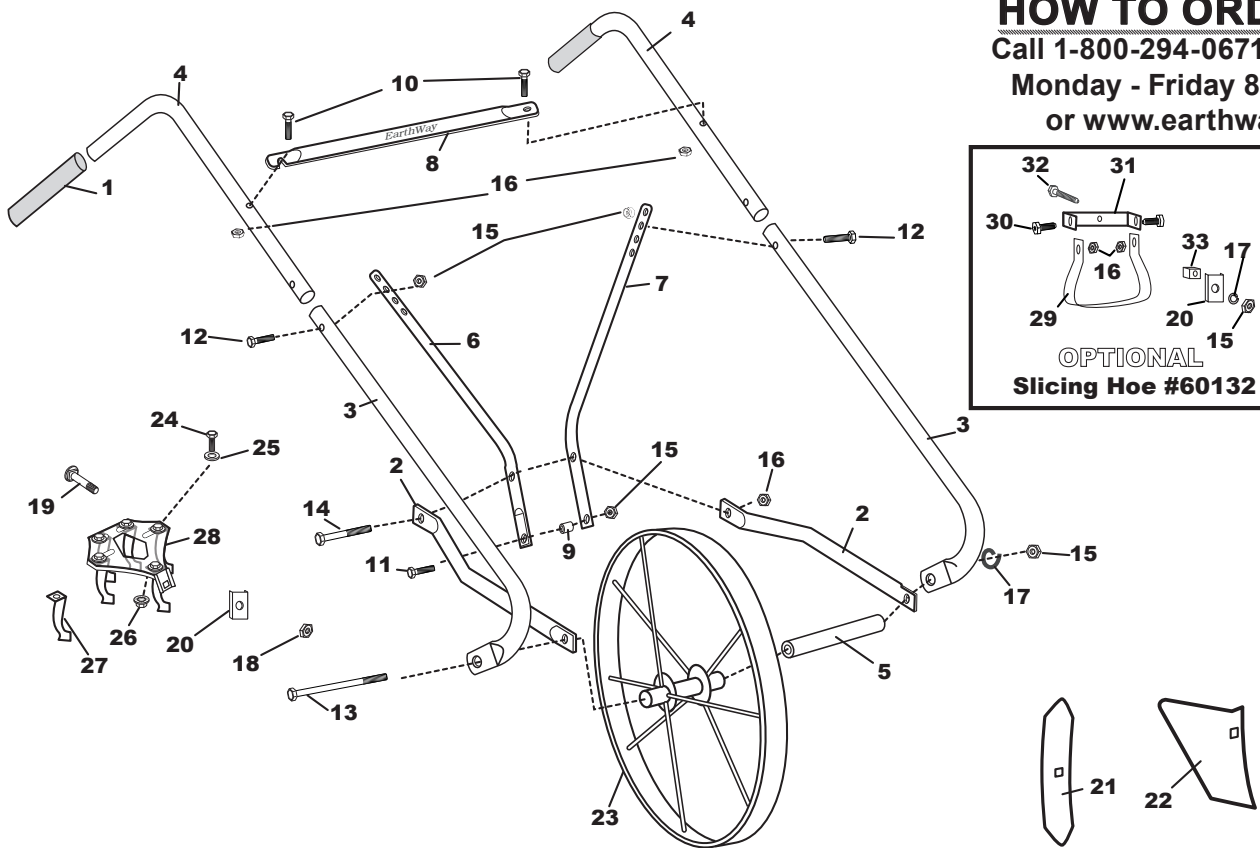
Assemble Multi-Tine as pictured above. Put carriage bolt (19) through rear of the mounting plate (28) and through tool support and then the formed washer (20) and fasten with lock nut (18), tighten fully. Next, attach the tines (27) with bolt (24) through flat washer (25) and secure with hex nut (26), leave loose until you determine tine width as required. Tighten fully.

# HOW TO ORDER PARTS

Call 1-800-294-0671 or 574-848-7491

Monday - Friday 8:30am - 4:00pm

or [www.earthway.com/parts](http://www.earthway.com/parts)



## 6500 PARTS LIST

KEY	PART	DESCRIPTION	KEY	PART	DESCRIPTION
1	19111	1"ID X 4.5"IL BLACK GRIP (6500)	18	36302	3/8-16 NYLON INSERT LOCKNUT ZINC
2	23104	FRAME (6500)	19	37105	3/8-16 X 2" CARRIAGE BOLT ZINC
3	23204	LOWER HANDLE (6500)	20	43033	FORMED WASHER (6500)
4	23401	UPPER HANDLE (6500)	21	44227	FURROW PLOW (6500)
5	23500	AXLE (1001-B)	22	44228	HILLING (MOLDBOARD) PLOW (6500)
6	23601	RIGHT TOOL SUPPORT (6500)	23	60130	WHEEL ASSEMBLY 6500/6500W GLOSS BLACK
7	23602	LEFT TOOL SUPPORT (6500)	24	32123	5/16-18 X 1" HHMS ZINC
8	23604	CROSS BRACE (6500)	25	32124	5/16 ID X 11/16" OD FLAT WASHER
9	23605	TOOL SUPPORT SPACER (6500)	26	60132	5/16-18 HEX NUT WITH WASHER
10	31100	1/4-20 X 1 1/2 HHMS ZINC	27	60148	CULTIVATOR TINE (5 REQUIRED)
11	31111	5/16-18 X 1 1/4" HHMS ZINC	28	60131	MOUNTING PLATE
12	31115	5/16-18 X 1 1/2" HHCS ZINC	<b>OPTIONAL</b>	60132	SLICING HOE ASSEMBLY
13	31116	5/16-18 X 4 1/2" HHCS ZINC	29	44244	SLICING HOE BLADE
14	31120	1/4-20 X 2" HHCS ZINC	30	31101	1/4-20 X 3/4" HHMS ZINC
15	32102	5/16-18 HEX NUT ZINC	31	44252	SLICING HOE BRACKET
16	32103	1/4-20 NYLON INS LOCKNUT ZINC	32	31125	5/16-18 X 2" HX TAP BOLT ZINC
17	34104	5/16" SPLIT LOCK WASHER ZINC	33	44253	TOOL ADAPTOR FOR SLICING HOE

### 5-YEAR LIMITED WARRANTY

Earthway Products, Inc. warrants this product free of defects in original workmanship and materials for a period of 5-years to the end user with the original dated purchase receipt. If a manufacturing non-conformance is found, Earthway Products, Inc. at its discretion will repair or replace the part(s) or product at no charge provided the failure is not the result of incorrect installation, mishandling, misuse, tampering, or normal wear and tear as determined by Earthway. Earthway at its discretion may require that the part(s) or product be returned along with the original purchase receipt at owners' expense for examination and compliance with the terms of this warranty. Do not return any product without first receiving authorization from Earthway Products, Inc. To seek remedy under this warranty, contact Earthway Products, Inc. at 574-848-7491, [techsupport@earthway.com](mailto:techsupport@earthway.com) or write to Earthway Products, Inc. P.O. Box 547 Bristol, Indiana 46507 and describe the nature of the manufacturing defect.

**SPECIFIC LIMITATIONS:** This warranty covers only the part(s) or product; any labor charges associated with repair or replacement of non-conformances are specifically excluded. Due to the corrosive nature of most fertilizers and ice melt products, Earthway Products, Inc. makes no warranty against and specifically excludes part(s) or product degradation or failure due to corrosion or its effects. Clean and dry your seeder thoroughly after each use, as a preventative measure, coat all metal parts inside and outside with a light oil or silicon spray.