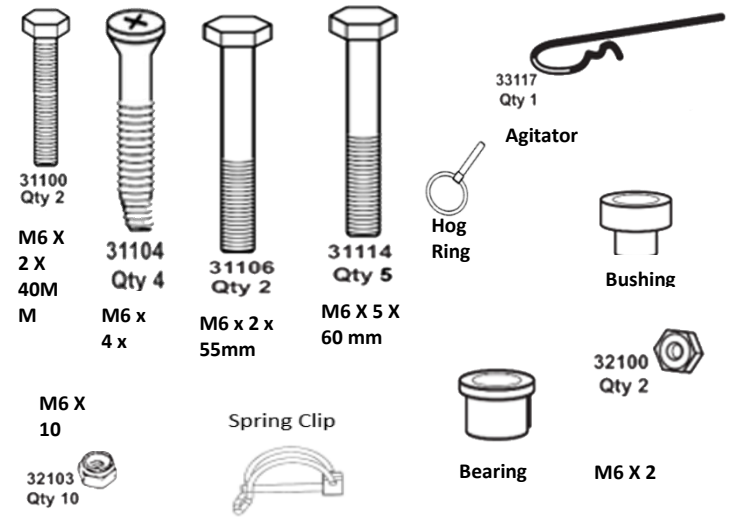




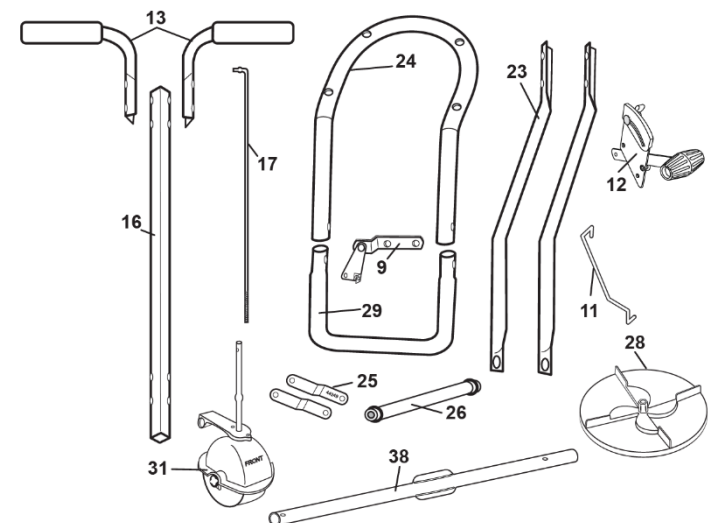
SIDE SPREAD CONTROL

Your EarthWay spreader includes a feature called side spread control. This feature turns off fertilizer from being spread to the left side. To activate this feature, slide the lever below the hopper to the right (if standing behind the spreader) and walk along a sidewalk or flowerbed that is 12"-14" on your left side. Fertilizer will not spread to the left. This feature is better than a deflector as no material is wasted by the deflector.

ASSEMBLY HARDWARE

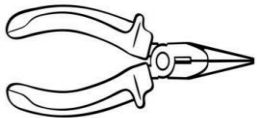


SPREADER COMPONENTS



Prior to assembly, you will need the following tools:

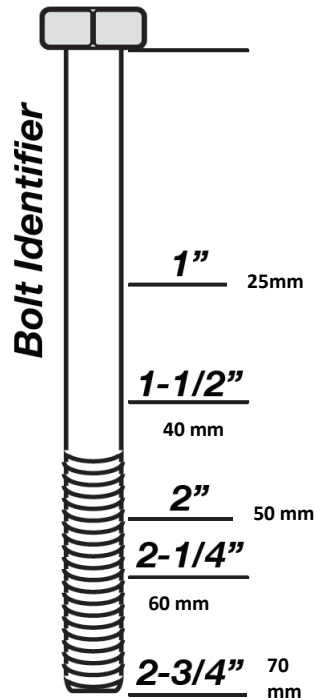
Needle nose pliers



#2 Phillips screwdriver



Adjustable wrench or 1/2" box wrench



ROCK SALT and POWDERED MATERIALS should not be used in this spreader as it will damage the gearbox and can void warranty. Use only granular materials.

HELPFUL HINTS

- ☑ Read the directions before assembly.
- ☑ If your spreader does not spread evenly, be sure "FRONT" on the GEARBOX points to the front of the spreader. **The impeller must turn clockwise when pushing forward.** Reversing the GEARBOX will cause the impeller to turn counter clockwise. Clean the impeller plate after each use. Fertilizer stuck on the impeller blades will cause uneven spreading.
- ☑ Your spreader is designed to be pushed at three miles per hour, which is a brisk walking speed. Slower or faster speeds will change the spread patterns. Wet fertilizer will also change the spread pattern and flow rate. **Clean and dry** your spreader thoroughly after each use. Coat all metal surfaces (**inside & outside of tubing**) with light oil, Fluid Film® or silicon spray to help prevent corrosion. Wash between the shut off plate and bottom of the hopper. **Do not use powdered materials as it will damage the gearbox.**
- ☑ Gears are permanently lubricated at the factory. Do not open the GEARBOX or dirt may enter.

IF YOUR SPREADER COMES SEMI ASSEMBLED, SKIP TO STEP #7

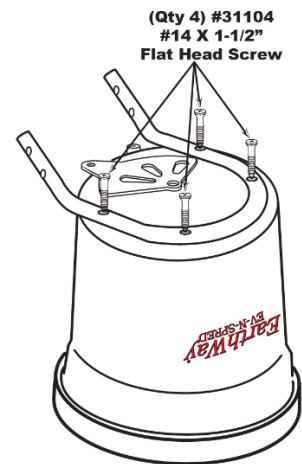
Assembly Steps

Step 1: Remove all components and hardware items from the box. Place the spreader hopper upside down and facing away from yourself.

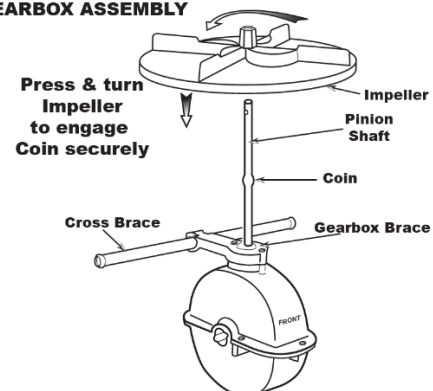
Step 2: Install FRAME using (4) #14 x 1½" (M6 x 1 x 40mm) Flat Head Phillips screws. **TIGHTEN THESE NOW**

Step 3: Install impeller onto pinion shaft by pressing the impeller as shown onto the pinion shaft and turning the impeller while holding the pinion shaft to engage with the **COIN** fully, and press down to secure.

Next, insert Cross Brace thru the Gearbox Brace as shown above.



GEARBOX ASSEMBLY

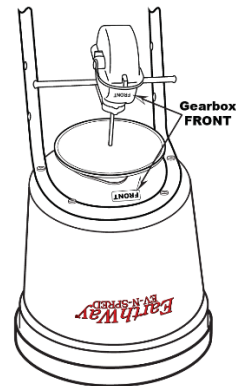


MODEL # 2150

ASSEMBLY INSTRUCTIONS

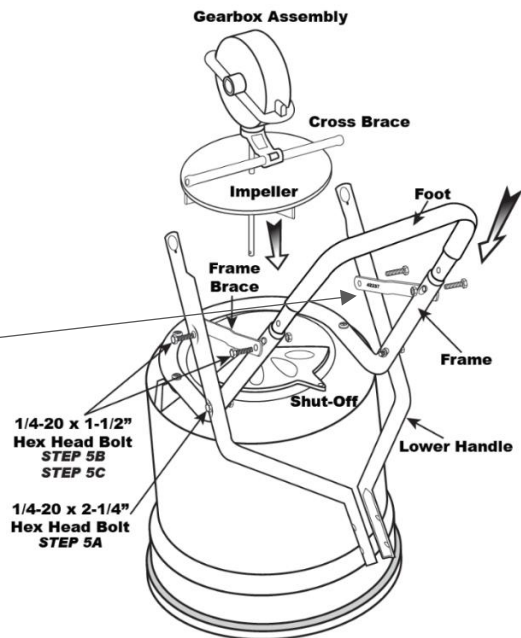
Step 4: Install GEARBOX by inserting the PINION SHAFT into hole in center of HOPPER bottom. The word "FRONT" on the GEARBOX must point to Front of the HOPPER.

NOTE: The EarthWay logo is on the front of the hopper.



Step 5: (A) Install LOWER HANDLES onto FRAME to both sides as shown. Insert 2 1/4" (M6 x 1 x 40mm) bolt through hole in LOWER HANDLE and through hole in FRAME install locknut. **DO NOT TIGHTEN.**

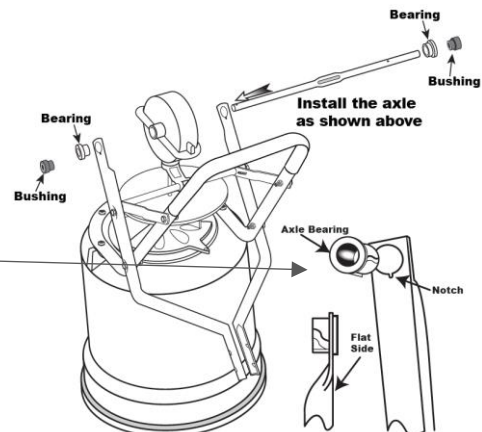
Step 6: (B) Now insert 1 1/2" (M6 x 1 x 40mm) bolt into the hole in LOWER HANDLE, then through FRAME brace. Next into threaded connector in CROSS BRACE. **DO NOT TIGHTEN**



Step 7: Slide AXLE into the LOWER HANDLE, then the GEARBOX and into the other LOWER HANDLE as shown above. Next, install AXLE BEARINGS over the AXLE and into both LOWER HANDLES as shown above.

NOTE: Tab on BEARINGS and notches in the LOWER HANDLES you need to align.

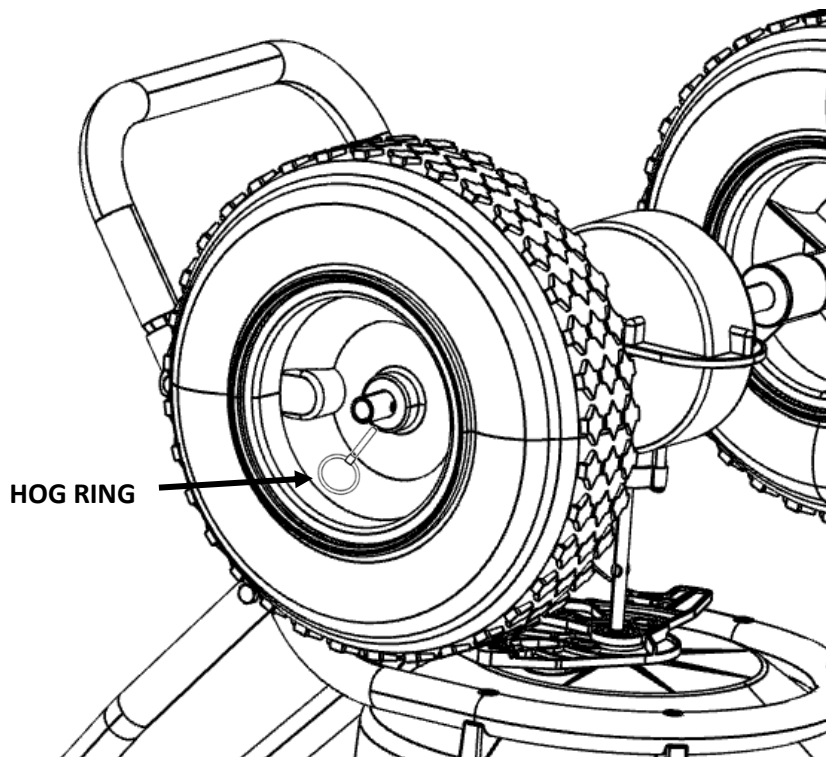
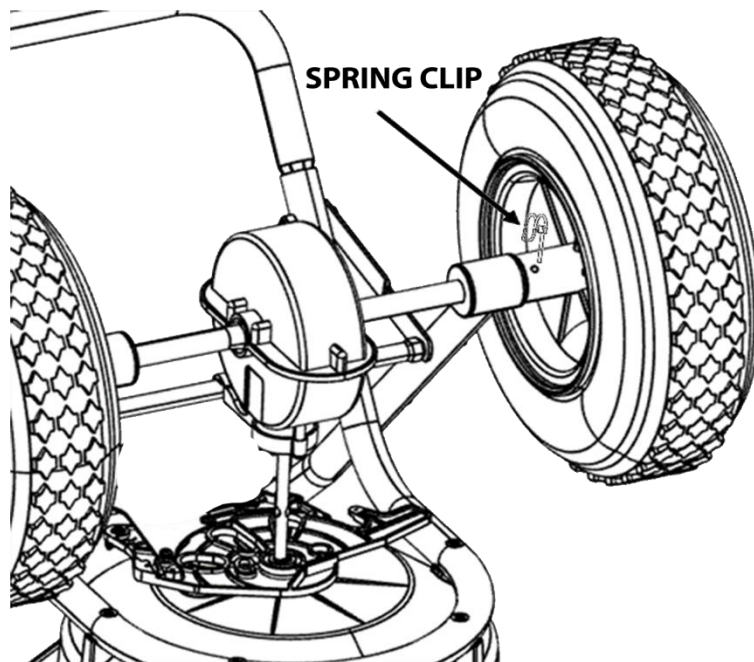
Now slide the BUSHINGS over the AXLE (as shown above) and into the BEARINGS.



NOW GO BACK AND TIGHTEN ALL NUTS AND BOLTS STARTING WITH FIRST STEP. DO NOT OVER TIGHTEN.

Step 8: Install DRIVE WHEEL onto the AXLE and align with the Spring Clip hole nearest to LOWER HANDLE as shown. Insert spring clip through wheel and through AXLE. Fold the spring clip to prevent the clip from falling out.

Step 9: Install COAST WHEEL onto the AXLE fully. The axle and axle hole will protrude through the rim. Insert "Hog Ring" through the axle (not through the wheel). Fold hog ring over to spring it into the folded position which will prevent the ring from falling out and keep the wheel from leaving the axle.

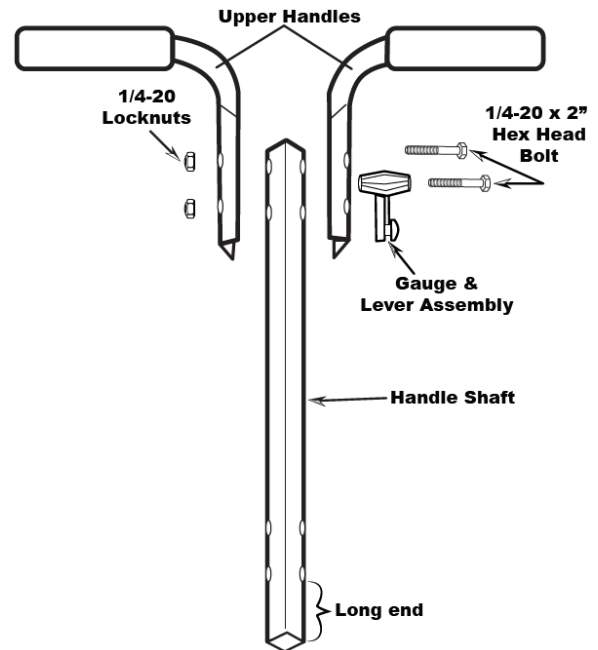


TURN SPREADER UPRIGHT ON TO WHEELS

MODEL # 2150

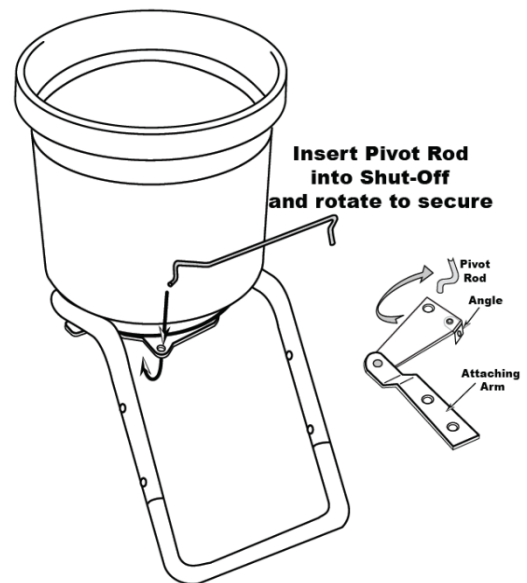
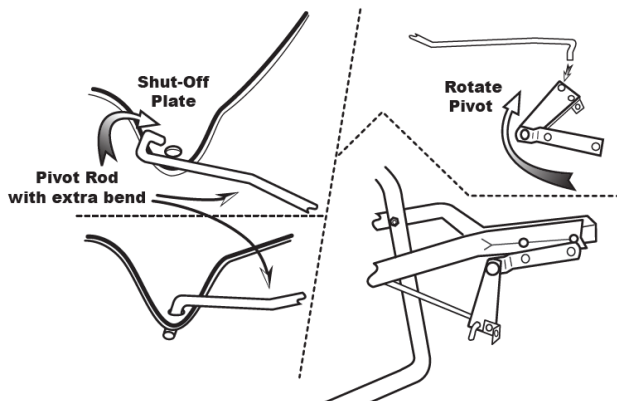
ASSEMBLY INSTRUCTIONS

Step 10: Insert 2" (M6 X 1 X 40MM) bolt through Gauge & Lever assembly, next through upper handle, then the handle shaft and then the other upper handle and secure with locknut. **TIGHTEN ALL HARDWARE NOW.**

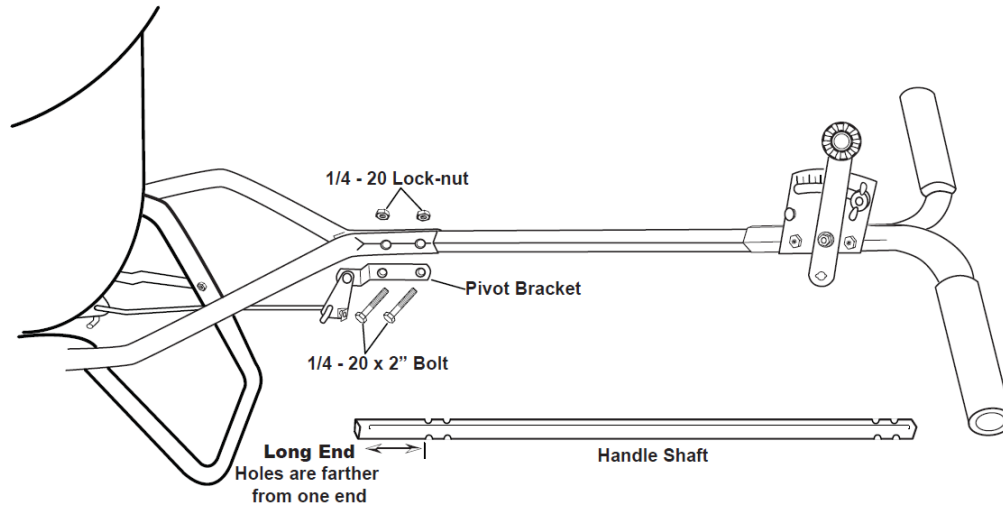


Step 11: Insert PIVOT ROD into SHUT-OFF PLATE as shown. Turn to lock in place.

Step 12: Insert other end of PIVOT ROD into PIVOT AND BRACKET assembly as shown. Turn to lock in place.



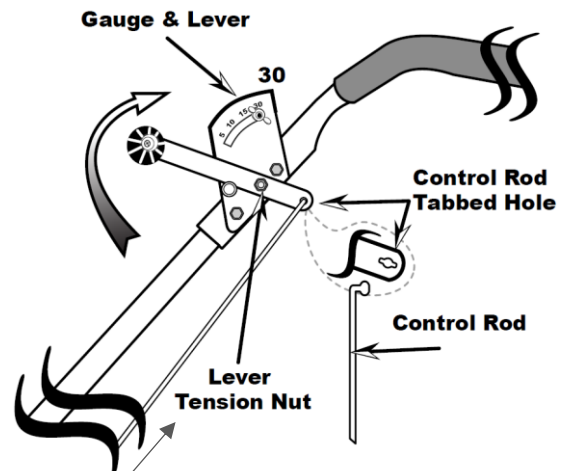
Step 13: Install HANDLE SHAFT to LOWER HANDLES and PIVOT & BRACKET assembly as shown. Using 2" (M6 X 1 X 40MM) bolts and locknuts. **TIGHTEN BOLTS AND NUTS NOW.**



Step 14: Install (1) 1/4-20 (M6 X 1) regular nut (not a locknut) on to CONTROL ROD as shown.



Step 15: Install flattened end of CONTROL ROD in to LEVER on GAUGE as shown. Turn to lock in place. Next push LEVER forward to setting "0". Align CONTROL ROD with hole in PIVOT BRACKET, pull LEVER backward to insert CONTROL ROD through hole in PIVOT BRACKET. Now install 1/4-20 (M6 X 1) regular nut on to CONTROL ROD.

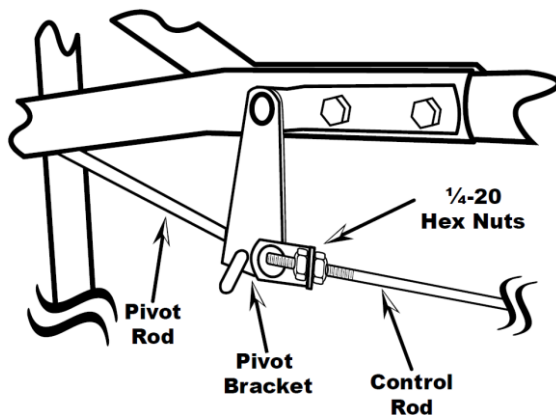


CALIBRATION

Step 16: Pull lever back to setting "30" as shown. Next push pivot & bracket forward so that the shut off plate in the hopper is in the full open position. **REMEMBER SETTING "30" ON THE FLOW CONTROL LEVER MUST PLACE THE SHUT-OFF PLATE IN THE FULL OPEN**

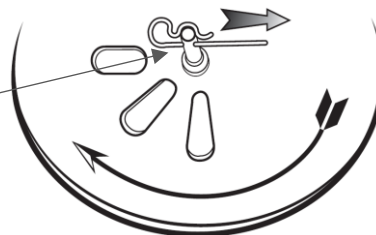
POSITION TO BE PROPERLY CALIBRATED. Now tighten the nuts against the PIVOT BRACKET to prevent change in calibration.

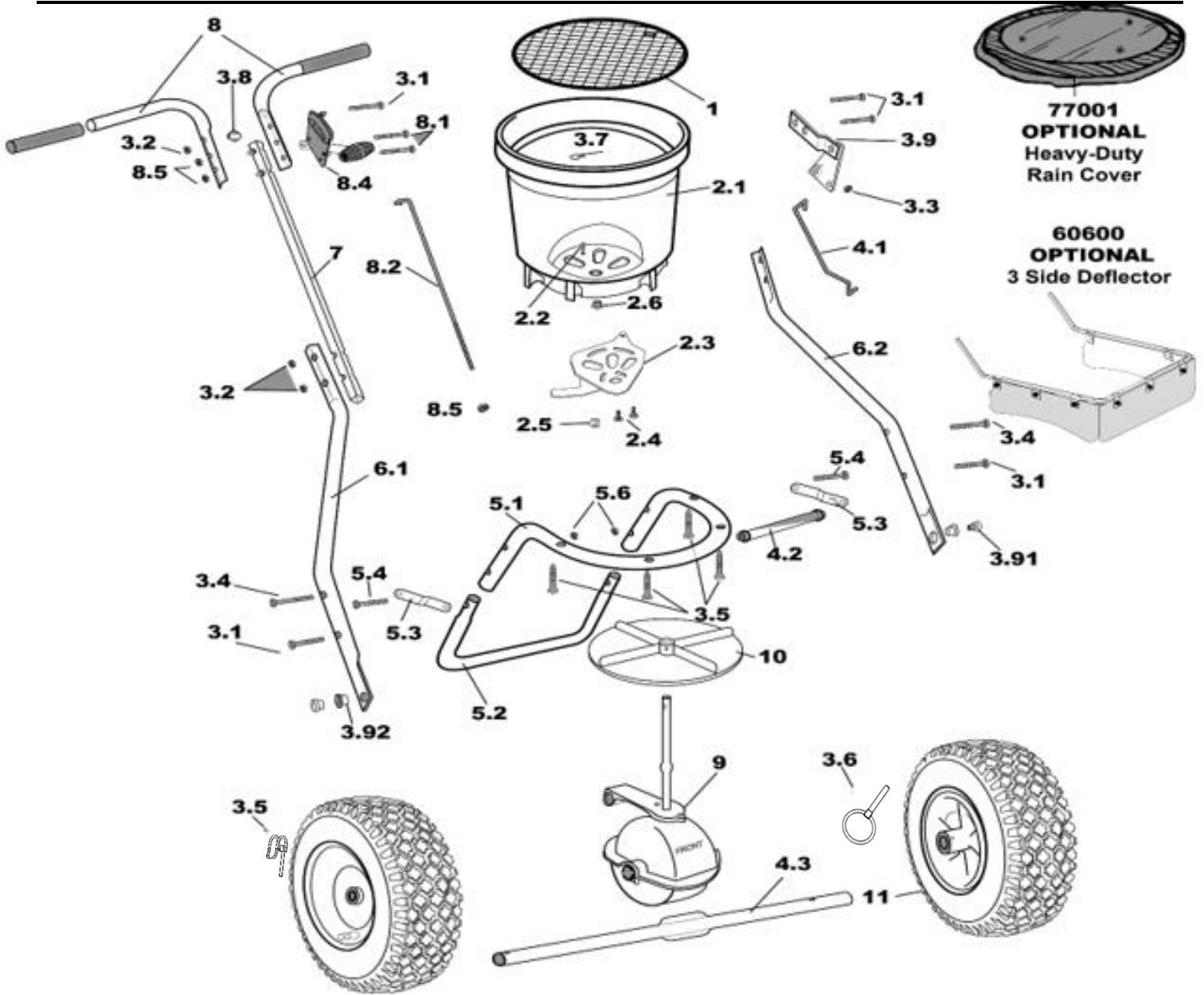
NOTE: Tension on the flow control lever may be adjusted by tightening or loosening the tension nut as shown.



Step 17: Insert agitator to pinion shaft on inside of hopper.

Note: the position of flat side of the agitator. This pin should be installed as shown.





SERIES	PART #	DESCRIPTION	SERIES	PART #	DESCRIPTION
1	40002	ROUND SCREEN	8	60602	OPERATOR HANDLES ASSEMBLY
2	60332	HOPPER ASSEMBLY KIT (2.1 – 2.6)	9	60333	GEARBOX & IMPELLER SHAFT KIT
3	38168	HARDWARE KIT (3.1 - 3.92)	10	12110	IMPELLER
4	60268	CONTROL KIT & X-BRACE KIT (4.1- 4.5)	11	70138	13" PNEUMATIC TIRE
5	60603	LOWER FRAME ASSY KIT (5.1 – 5.6)	12	60175	UPPER HANDLE SQUARE W/GRIP
6	25222	HANDLE TO FRAME AXLE ARMS (6.1 & 6.2)	OPTIONAL	77001	HEAVY DUTY RAIN COVER ACCESSORY
7	25223	HANDLE SHAFT - SQUARE	OPTIONAL	60600	THREE SIDE DEFLECTOR KIT

CUSTOMER SERVICE

574.848.7941 | SUPPORT@EARTHWAY.COM | www.EARTHWAY.com | 1009 Maple Street, Bristol, IN 46507

ONE YEAR WARRANTY

EarthWay Products, Inc. warrants this product free of defects in original workmanship and materials for a period of one year to the end user with the original purchase receipt. If a manufacturing non-conformance is found, EarthWay Products, Inc. at its discretion will repair or replace the part(s)/product at no charge provided the failure is not the result of incorrect installation, mishandling, misuse, tampering, or normal wear and tear as determined by EarthWay.

EarthWay at its discretion may require that the part(s) or product be returned along with the original purchase receipt for examination and compliance with the terms of this warranty. Do not return any product without first receiving authorization from EarthWay Products, Inc.

To seek remedy under this warranty, contact EarthWay Products, Inc. at 574-848-7491, support@earthway.com or write to EarthWay Products, Inc. 1009 Maple Street, Bristol, IN 46507 and describe the nature of the manufacturing defect. SPECIFIC LIMITATIONS: This warranty covers only the part(s) or product; any labor charges associated with repair or replacement of non-conformances are specifically excluded. Due to the corrosive nature of most fertilizers and ice melt products, EarthWay Products, Inc. makes no warranty against and specifically excludes part(s) or product degradation or failure due to corrosion or its effects.

OPERATING INSTRUCTIONS

Before filling hopper, become familiar with the operation of this spreader.

- Obtain proper setting for material to be used from the enclosed SETTING MATRIX included with this spreader, or from our web site under the MANUALS SECTION.
- Move stop bolt on rate gauge assembly to the proper setting.
- While pushing spreader forward, pull control lever back to stop bolt.
- To stop, push lever forward to close flow holes before you stop moving.
- When finished, empty any remaining material from hopper.
- Thoroughly wash spreader and dry before storing. A coating of light oil will help prevent corrosion.
- If you use Rock Salt, remove agitator when in use to prevent damage to the GEARBOX.

The settings furnished on the Rate Setting Matrix are intended as a guide only. Variations in physical characteristics of material applied, walking speed, and roughness of ground surface may require slightly different spreader settings. Due to the above conditions, the manufacturer makes no warranty as to the uniformity of coverage actually obtained from the settings listed.

SideSpred-Control

The **SideSpred-Control™** is a new innovation that eliminates the need to use a side deflector, which can adversely affect your application rate, to prevent material from being spread into flowerbeds, on sidewalks, or driveways. The **SideSpred-Control™** maintains the correct application rate while it is activated, giving you excellent results in seeding or spreading while controlling the spread pattern on the left side of the spreader. The **SideSpred-Control™** is an EarthWay exclusive.

SideSpred-Control™ OPERATION

The **SideSpred-Control™** lever is located under the right side of the hopper. To operate the **SideSpred-Control™**, slide the control lever from the front to the back. This will activate the **SideSpred-Control™** for a **PARTIAL** spread pattern and prevent material from being spread to the left side of the spreader. Position the left wheel of your spreader 4"–6" from the sidewalk, flowerbed, or driveway and spread as normal. When you have completed this spreading pass, close the control lever to "0", and then open the **SideSpred-Control™** by sliding the control lever from back to the front, for a **FULL** spread pattern.

HOW TO ORDER SPARE PARTS

All spare parts listed herein may be ordered direct from the manufacturer. Be sure to give the following information when ordering.

- Model Number
- Part Number
- Part Description

You can contact us by calling (574) 848-7491 or 800-294-0671 to place an order with a credit card, or purchase online at <https://www.earthway.com/product-category/parts/> Questions? Email us at <mailto:sales@earthway.com>

You can find replacement Nuts and Bolts at your local hardware store.

Broadcast Setting Matrix

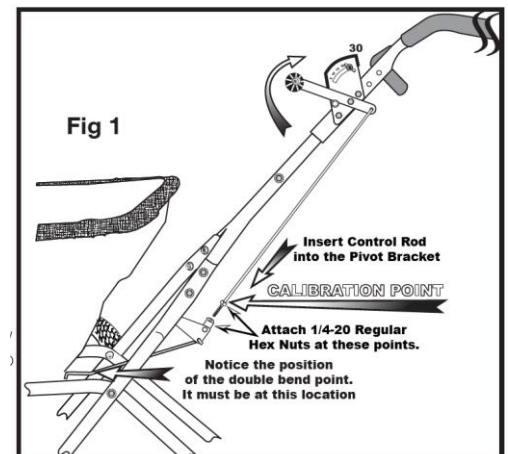
Calibration Techniques

How to ensure your spreader is properly calibrated

Make sure the drop holes in the bottom of the hopper are fully open when the Rate Control handle is on #30. If not, please adjust control cable or control rod to allow for a full open hopper position at #30.

Rod Type Adjustment

1. Open the shut-off so that the drop holes are completely open as illustrated to the right.
2. Review the Control Lever position—if it is set so that the forward edge is at #30, you are calibrated. If not, you need to adjust the control rod at the pivot bracket shown in **Fig 1**.
 - A. If your shut-off is not able to open fully as in step #1. Loosen the top nut a few turns, then loosen the lower nut so that it allows you to push the shut-off open fully. Next tighten each nut so that they contact the pivot bracket without moving it, and then carefully tighten each nut fully so they do not loosen during use. Recheck adjustment as outlined in #1 above.
 - B. If your shut-off is able to open fully as in step #1, but the Control Lever is not at #30. Loosen the top nut a few turns, then loosen the lower nut so that it allows you to push the Control Lever to #30. Next tighten each nut so that they contact the pivot bracket without moving it. Carefully tighten each nut fully so they do not loosen during use. Recheck adjust as outlined in #1 above.



Cable Type Adjustment

1. Open the Control Lever so that the shut-off and drop holes are completely open as illustrated above right.
2. Review the Control Lever position so that the indicator is pointed to #30, if it is your calibration is correct. If not you need to adjust the control cable at the cable clamp on the underside of the hopper as shown in **Fig 2**.
 - A. If your shut-off is not able to open fully as in step #1. Loosen the cable clamp screw slightly so that you can slide the outer cable out so that the shut-off is fully open. Next tighten the cable clamp screw securely. Recheck adjustment as outlined in #1 above.

Step 1: Determine the rate by dividing the bag weight by the coverage of the bag listed (Example: $37\text{lbs}/10,000\text{square feet} = .0037$), then multiply by 1,000 ($.0037 \times 1000 = 3.7\text{lbs}/1,000\text{ square feet}$). That will give the suggested LBS/1,000 square feet rate.

Step 2: Find the closest LBS/1,000 square feet in **Broadcast Setting Matrix** below, based on the material **particle size**. (Example: $2.0\text{ LBS}/1,000\text{ square feet} = \text{Spreader Setting of } 10, 13, \text{ or } 18 \text{ based on particle size}$)