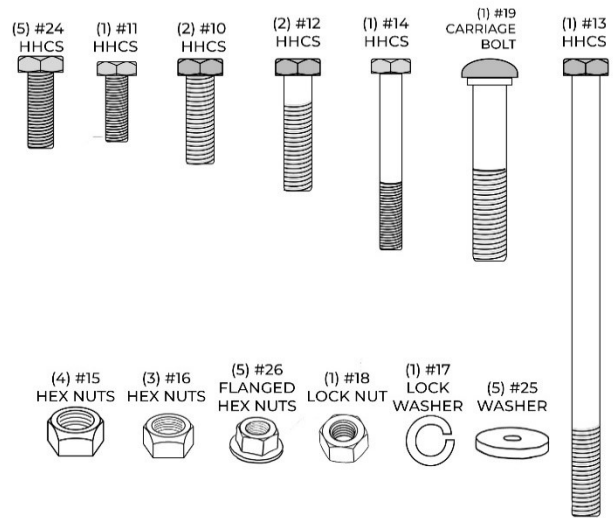




Thank you for selecting EarthWay for your cultivator needs. Our customer support team is standing ready to ensure your success. Please contact us at www.EarthWay.com to see our full line of commercial, lawn & garden tools.

ASSEMBLY HARDWARE



HELPFUL HINTS

- The 6500 will require approximately 30 minutes to assemble with common hand tools.
- Remove and identify all loose parts from carton.
- Clean and dry your Cultivator thoroughly after each use.
- Coat all metal surfaces with a light oil to prevent corrosion.

6502 Optional Wood Handle Kit



6502 Parts List		
KEY	DESCRIPTION	QTY
A	Left Tool Support	1
B	Right Tool Support	1
C	Wood Handle	2
D	Hardware Package	1

ASSEMBLY INSTRUCTIONS

1. Assemble both Upper (Key #4) and Lower Handles (Key #3) together by sliding the Lower Handle into the Upper Handle. Secure with a 5/16-18 x 1 1/2" hex bolt (Key #12) and a 5/16" hex nut (Key #15). **Tip:** Do not tighten all the way.
2. Assemble Left and Right Tool Supports (Key #7 & 6), by positioning the Tool Support Spacer (Key #9) between the supports at the bottom where the two pieces meet. Now slide a 5/16-18 1 1/4" hex bolt (Key #11) through the supports and spacer and tighten with a hex nut (Key #15). **Note:** Make sure you have the Right and Left Supports in the correct position as shown in the exploded view on the next page.
3. Connect Frame (Key #2) to the Tool Support Assembly (Key #6 & 7) from Step 2 using 1/4-20 x 2" hex bolt (Key #14) thru the Frame, both Tool Supports, and then through the Frame again on the other side. Secure with 1/4-20 locknut (Key #16) and tighten.
4. Install Cross Brace (Key #8) on to the Upper Handle and secure with (10) 1/4-20 x 1 1/2" hex bolt and (16) 1/4-20 lock nut to each side, loosely tighten.
5. Install Axle (Key #5) into the Wheel (Key #23) and position them between the Frame rails (Key #2).
6. Once the Axle and Frame are lined up, insert a 5/16-18 x 4 1/2" hex bolt (Key #13) all the way through the Lower Handles, Frames, Axle and Wheel so that the bolt shows up on the outer edge of the Left Lower Handle. Secure bolt with a lock washer and a 5/16-18 hex nut (Key #15).
7. Now determine a comfortable operation height and remove 5/16-18 hex nut (Key #15) and select one of the four adjustment holes in the top of the Tool Supports (Key #6 & 7). Secure with 5/16-18 hex nut (Key #15) and tighten.
8. Now that all assembly is complete you can go back and tighten all hardware.

ASSEMBLY INSTRUCTIONS – Tool Supports

FURROW PLOW

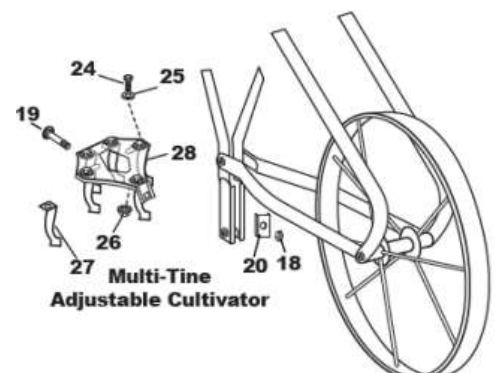
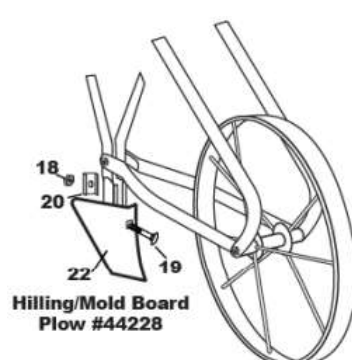
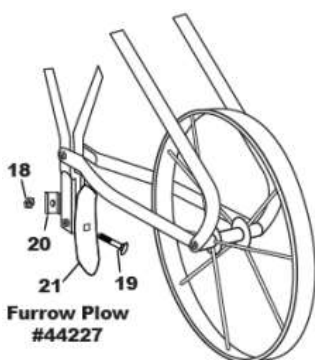
Place Furrow Plow in front of tool support slot. Put hex bolt (#19) through square hole in the plow and through the slot in tool support. Next put formed washer (#20) over carriage bolt (#19) and tool support: fasten with lock nut (#18) and tighten fully.

HILLING / MOLD BOARD PLOW

Place Hilling Plow in position shown below. Put carriage bolt (#19) through square hole and through slot in tool support. Next put formed washer (#20) over hex bolt (#19) and tool support: fasten with lock nut (#18) and tighten fully

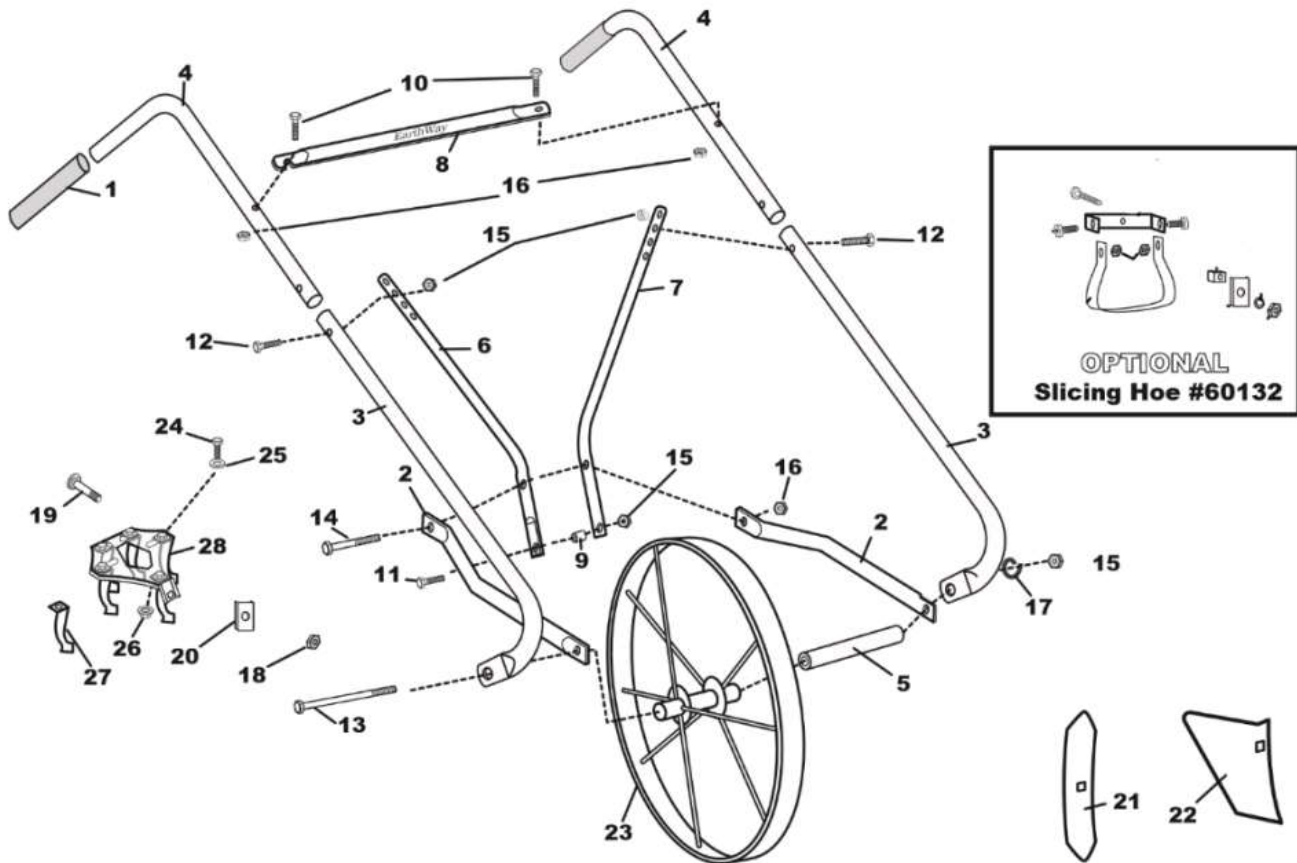
MULTI-TINE ADJUSTABLE CULTIVATOR

Assemble Multi-Tine as pictured above. Put carriage bolt (#19) through rear of the mounting plate (#28) and through tool support and then the formed washer (#20) and fasten with lock nut (#18), tighten fully. Next, attach the tines (#27) with bolt (#24) through flat washer (#25) and secure with hex nut (#26), leave loose until you determine tine width as required. Tighten fully.



HOW TO ORDER PARTS

Call or Email: TURF DEPOT 800-305-9255 or earthway@turfdepot.com



PARTS KITS (see diagram below)

PARTS KIT	DESCRIPTION	WHAT IS INCLUDED
6503	HARDWARE AND TINES	AXLE (5), TOOL SUPPORT SPACER (9), NUTS, BOLTS, WASHERS (10-20), NUTS, BOLTS, WASHERS (24-26), TINES (27)
6504	MOUNTING PLATE	MOUNTING PLATE (28), FURROW PLOW (21), HILLING PLOW (22)
6505	HANDLES	UPPER (3), LOWER (4), GRIP (1)
6506	FRAME	FRAME TUBE (2)
6507	TUBE SUPPORTS	RIGHT TOOL SUPPORT TUBE (6), LEFT TOOL SUPPORT TUBE (7), CROSS TUBE (8)
6501	Wheel Kit	Wheel Kit (23)
OPTIONAL	ACCESSORIES	SLICING HOE BLADE

CUSTOMER SERVICE

SUPPORT@EARTHWAY.COM | www.EARTHWAY.com | 1009 Maple Street, Bristol, IN 46507

ONE YEAR WARRANTY

Limited Warranty

EarthWay Products, Inc. provides this limited warranty that this product is free of defects in original workmanship and materials for a period of one year to the end user with the original purchase receipt. If a manufacturing non-conformance is found, EarthWay Products, Inc. at its discretion will repair or replace the part(s)/product at no charge provided the failure is not the result of incorrect installation, mishandling, misuse, tampering, improper storage, or normal wear and tear as determined by EarthWay. Due to the corrosive nature of most fertilizers and ice melt products, EarthWay Products, Inc. makes no warranty against and specifically excludes part(s) or product degradation or failure due to corrosion or its effects .

EarthWay at its discretion may require that the part(s) or product be returned along with the original purchase receipt for examination and compliance with the terms of this limited warranty. Do not return any product without first receiving authorization from EarthWay Products, Inc. IN NO EVENT SHALL EITHER PARTY BE LIABLE TO THE OTHER FOR SPECIAL, INDIRECT, INCIDENTAL OR CONSEQUENTIAL DAMAGES, EVEN IF SUCH PARTY SHALL HAVE BEEN ADVISED OF THE POSSIBILITY OF THE SAME. To seek remedy under this limited warranty, contact EarthWay Products, Inc. at support@earthway.com or write to EarthWay Products, Inc. 1009 Maple Street, Bristol, IN 46507 and describe the nature of the manufacturing defect. SPECIFIC LIMITATIONS: This limited warranty covers only the part(s) or product; any labor charges associated with repair or replacement of non-conformances are specifically excluded.

The above-listed warranty procedure is a condition precedent to bringing any legal action to enforce this limited warranty. Any action to enforce any portion of this limited warranty must be commenced within ninety days after the expiration of the limited warranty coverage period. Any performance of repairs will not suspend this limitation period from expiring, unless state law provides otherwise. Any performance of repairs after the limited warranty coverage period has expired, or performance of repairs regarding anything excluded from coverage under this limited warranty shall be considered “good will” repairs, and they will not change the express terms of this limited warranty or extend the limited warranty coverage period.

Exclusive jurisdiction for deciding legal disputes relating to alleged breach of warranty or representations of any nature relating to this limited warranty must be filed in the courts of Elkhart County within the State of Indiana. Any and all claims, controversies, and causes of action arising out of or relating to this limited warranty, whether sounding in contract, tort or statute, will be governed by the laws of the State of Indiana, without giving effect to any choice or conflict of law provision or rule.

NO OTHER WARRANTY, EXPRESS, IMPLIED OR STATUTORY, SHALL APPLY, INCLUDING, BUT NOT LIMITED TO, ANY IMPLIED WARRANTY OF MERCHANTABILITY, APPLICATION OR FITNESS FOR A PARTICULAR PURPOSE, OR ANY OTHER WARRANTY OBLIGATION ON THE PART EARTHWAY, AND ALL SUCH WARRANTIES ARE EXPRESSLY DISCLAIMED. In the event that applicable law prevents the disclaimer of any implied warranties, then such implied warranty shall be limited to the fullest extent permitted by law. Without limiting the foregoing, if applicable prevents the disclaimer of any such implied warranties, this limited warranty limits the period of time in which a claim for breach of implied warranties, including but not limited to the implied warranty of merchantability or fitness for a particular purpose, may be filed. In such event, any claim for breach of implied warranty must be brought before the expiration of this express limited warranty's one year term.