

MODEL # 2600A-Plus

ASSEMBLY INSTRUCTIONS

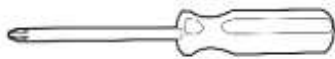


Prior to assembly, you will need:

Needle nose pliers



#2 Phillips screwdriver



Two 7/16" adjustable or box wrenches



SPREADER RATE SETTINGS

LBS PER 1000 SQUARE FEET	GRASS SEED	FERTILIZER SGN 240 (3/32")	SAND SGN 150 (1/16")
1 LB		9	7
2 LB	14	13	10
3 LB	16	16	13
4 LB	18	20	14
5 LB	20	22	16
8 LB		28	22

SIDE SPREAD CONTROL

SIDESPREAD CONTROL™

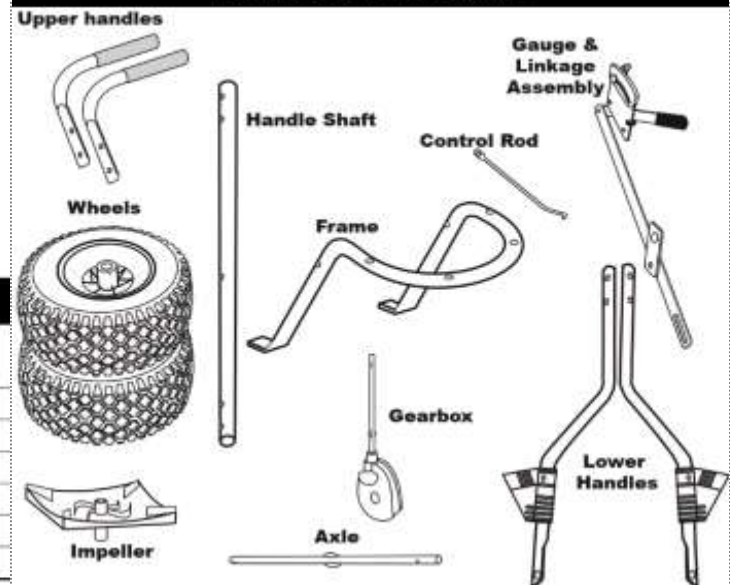
Patent U.S. 10,993,368

Your EarthWay spreader includes a patented feature to prevent fertilizer from being spread to the left side. To activate this feature, slide the lever below the hopper to the back (if standing behind the spreader) and position the left wheel 6"-12" from your sidewalk or border. While activated, the spreader will not waste fertilizer like competitor designs. Competitor deflectors leave 7X the fertilizer inside the wheels from blocking all the material leaving the impeller.

ASSEMBLY HARDWARE



SPREADER COMPONENTS



HELPFUL HINTS

- Read the directions before assembly.
- If your spreader does not spread evenly, be sure “FRONT” on the GEARBOX points to the front of the spreader. **The impeller must turn clockwise when pushing forward.** Reversing the GEARBOX during assembly will cause issues.
- Your spreader is calibrated for three miles per hour, which is a brisk walking speed. Slower or faster speeds will change the spread pattern. Wet fertilizer will also change the spread pattern and flow rate. **Do not use powdered materials as it will damage the gearbox.**
- Gears are permanently lubricated at the factory. Do not open the GEARBOX or dirt may enter.

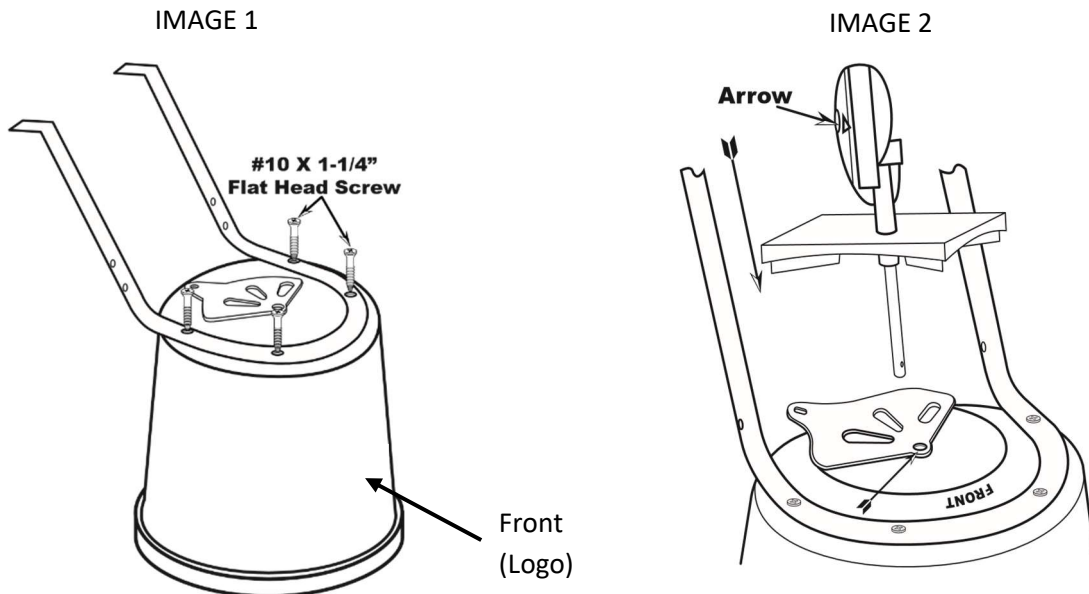
ASSEMBLY INSTRUCTIONS

STEP 1: Remove and identify all loose parts from carton

STEP 2: Position hopper as shown in Image 1. Install Frame using (4) #10 x 1 ¼” Flat Head Phillips screws.

TIGHTEN THESE NOW

STEP 3: Install Gearbox by inserting the Pinion Shaft into hole in center of Hopper’s bottom (see Image 2). The **ARROW** on the Gearbox must point to **FRONT** of the Hopper. Follow label instructions on hopper.



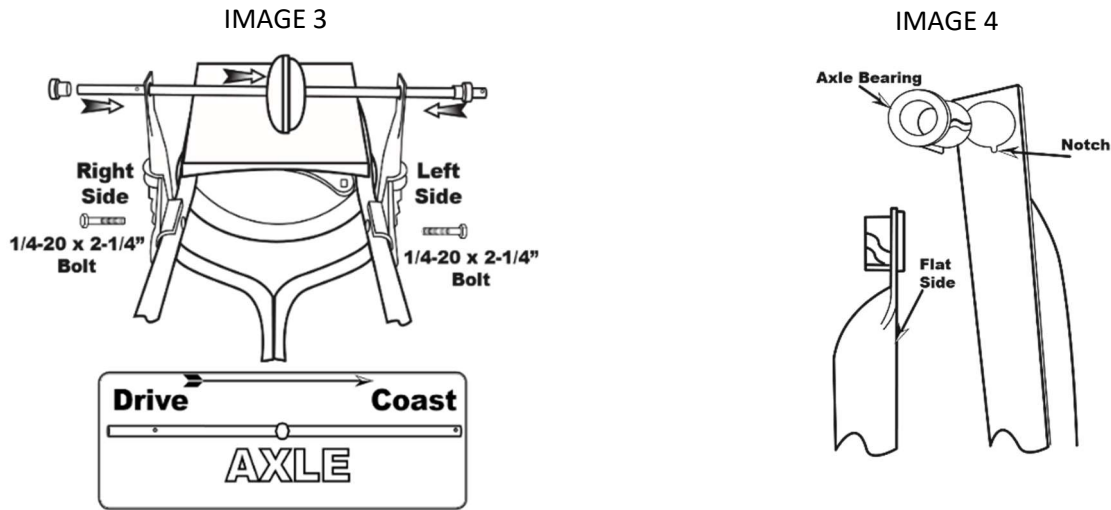
STEP 4: Install Lower Handles (left and right) onto Frame and secure with (2) ¼-20 X 2 ¼ inch bolts through hole in Frame Braces and through the hole in the Frame. Secure with (2) ¼”-20 nylon lock nuts on the ends. **DO NOT TIGHTEN DOWN ALL THE WAY.**

STEP 5: Slide the Axle (coast wheel side first) through the right side Lower Handle and into the Gear Box (with the arrow facing the FRONT). You will need to rotate the Axle to engage with the Gear Box, then slide it through the left side Lower Handle as shown in Image 3.

Warning

Remove agitator when using Rock Salt to prevent gearbox damage

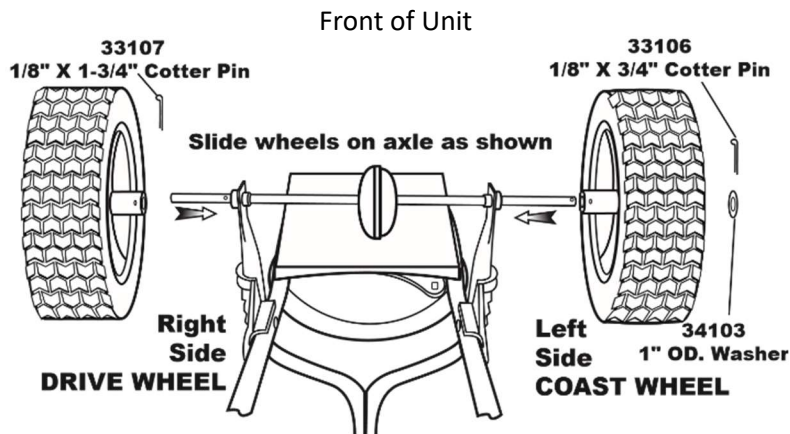
STEP 6: Install Bearings over the Axle and press into the notches of the Lower Handles, see Image 4.



NOW GO BACK AND TIGHTEN ALL NUTS AND BOLTS, DO NOT OVER TIGHTEN.

STEP 7: Install drive wheel to axle using pin hole nearest to lower handles as shown below. Insert 1 3/4" Cotter pin through wheel and through axle. Bend with pliers to prevent pin from falling out.

STEP 8: Install coast wheel to axle using outside pin hole. As shown, add the flat washer, and insert 3/4" Cotter pin through axle (not through wheel). Bend with pliers to prevent pin from falling out.

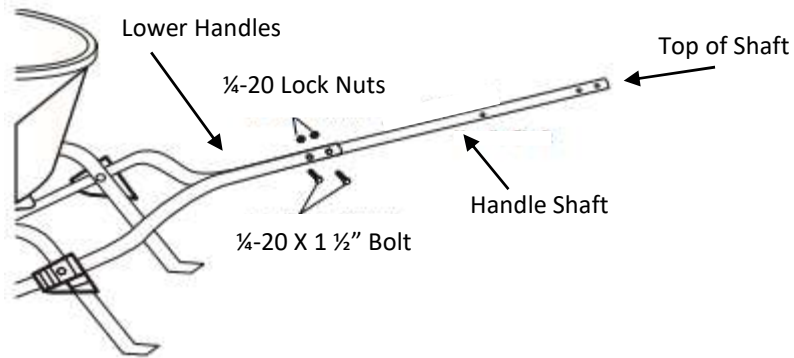


Back of Unit

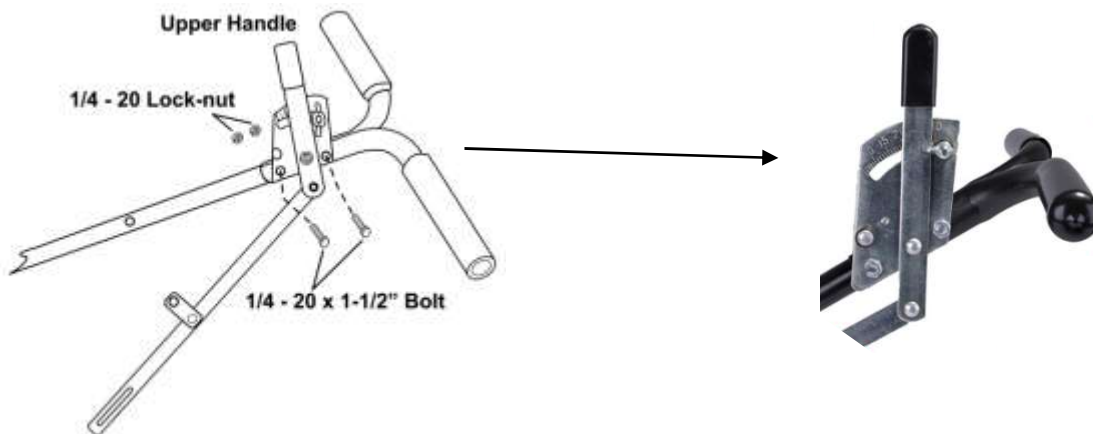
TURN SPREADER UPRIGHT ON TO WHEELS.

STEP 9: Select (2) 1/4" X 1 1/2" bolts and (2) 1/4"-20 nylon lock nuts to complete these next steps. Now pick up your Handle Shaft and notice that each end has a set of drilled holes. The end that has the holes closest to the end of the shaft is for the top of the unit. The other side of the shaft will be used to attach the handle to the lower handles.

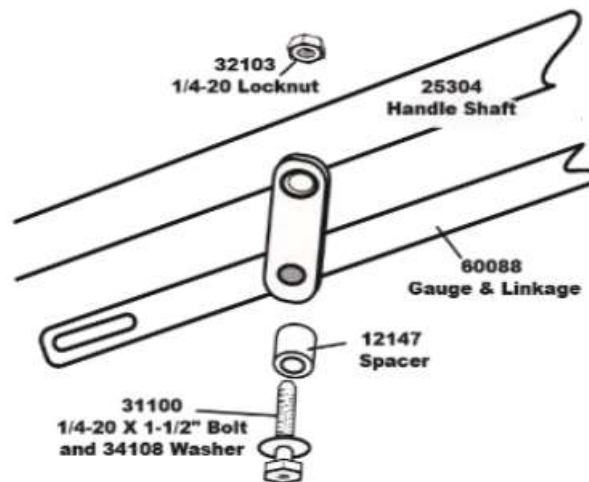
STEP 10: Place the Handle Shaft between the two Lower Handles and secure using the bolts and nuts selected in Step



STEP 11: Take Gauge and Linkage Assembly and line up the holes with the Handle Shaft and Upper Handles. Insert (2) 1/4"-20 X 1/ 2 bolts through the Gauge and Linkage Assembly, Upper Handles, and Handle Shaft. Secure with (2) 1/4"-20 nylon lock nuts. **NOTE:** Make sure the Gauge and Linkage Assembly is placed on the left side of the Handle. The numbers, wing nut, and lever will be facing out.



STEP 12: Attach Linkage Pivot with a 1/4"-20 X 1 1/2" bolt, MD flat washer, black spacer, and lock nut (shown below).



STEP 13: Take the bent end of the Control Rod and place it into the keyed shut off plate under the hopper making sure to take out the bow tie clip. The Control Rod will be placed into the first notch closest to the end of the plate. Once the Control Rod has been placed through the notch secure the placement by replacing the bow tie clip.

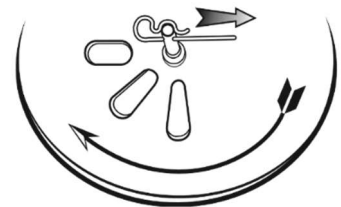
TIP: Make sure that the Control Rod is above the Lower Handles. There will be two holes in your Shutoff Plate, the Control Rod will go in the hole closest to the edge as shown below.



STEP 14: Install the 1/2" carriage bolt through the Control Rod and install the SM flat washer and hex nut on the carriage bolt as shown above. **NOTE:** This connection will be loose to allow for the necessary calibration and proper performance of the spreader.

STEP 15: **CALIBRATION:** THIS STEP ENSURES THAT YOUR SPREADER IS PROPERLY ADJUSTED TO GIVE YOU A CORRECT STARTING POINT TO APPLY MATERIALS AT THE CORRECT SETTING. Pull the Control Lever back to #30 on the Gauge and Lever Assembly, then push the shut-off plate forward until the shut-off and the drop holes are fully open. Now tighten the Hex Nut on the 1/2" Carriage Bolt on the Linkage Assembly (parts from Step 14). Check to confirm calibration by closing the Control Lever to #0, then reopening to #30. If all drop holes are fully closed at #0 and open at #30 then your unit has been calibrated correctly.

STEP 16: Take your Agitator Pin and insert it into the portion of the Pinion Shaft that is located inside the Hopper.



OPERATING INSTRUCTIONS

- Obtain proper setting for material to be used from the enclosed SETTING MATRIX included with this spreader, or from our web site under the MANUALS SECTION.
- Set the stop bolt on rate gauge assembly to the proper rate setting.
- While pushing spreader forward, pull control lever back to stop bolt, to stop spreading, push lever forward to close flow holes before you stop moving.
- When finished, empty any remaining material from hopper, rinse spreader, apply coating of light oil to all metal parts. The gearbox is sealed and is factory lubricated.

SIDESPREAD CONTROL™

The **SideSpread-Control** is a patented innovation (Patent US 10,993,368) that is superior to side deflectors.

Side deflectors block material leaving the impeller. This blocked material is now consolidated into a 2-3" wide path on the left inside wheel of your spreader. This equates to wasted fertilizer, dark green stripes, and in some cases, this extra fertilizer will damage the lawn.

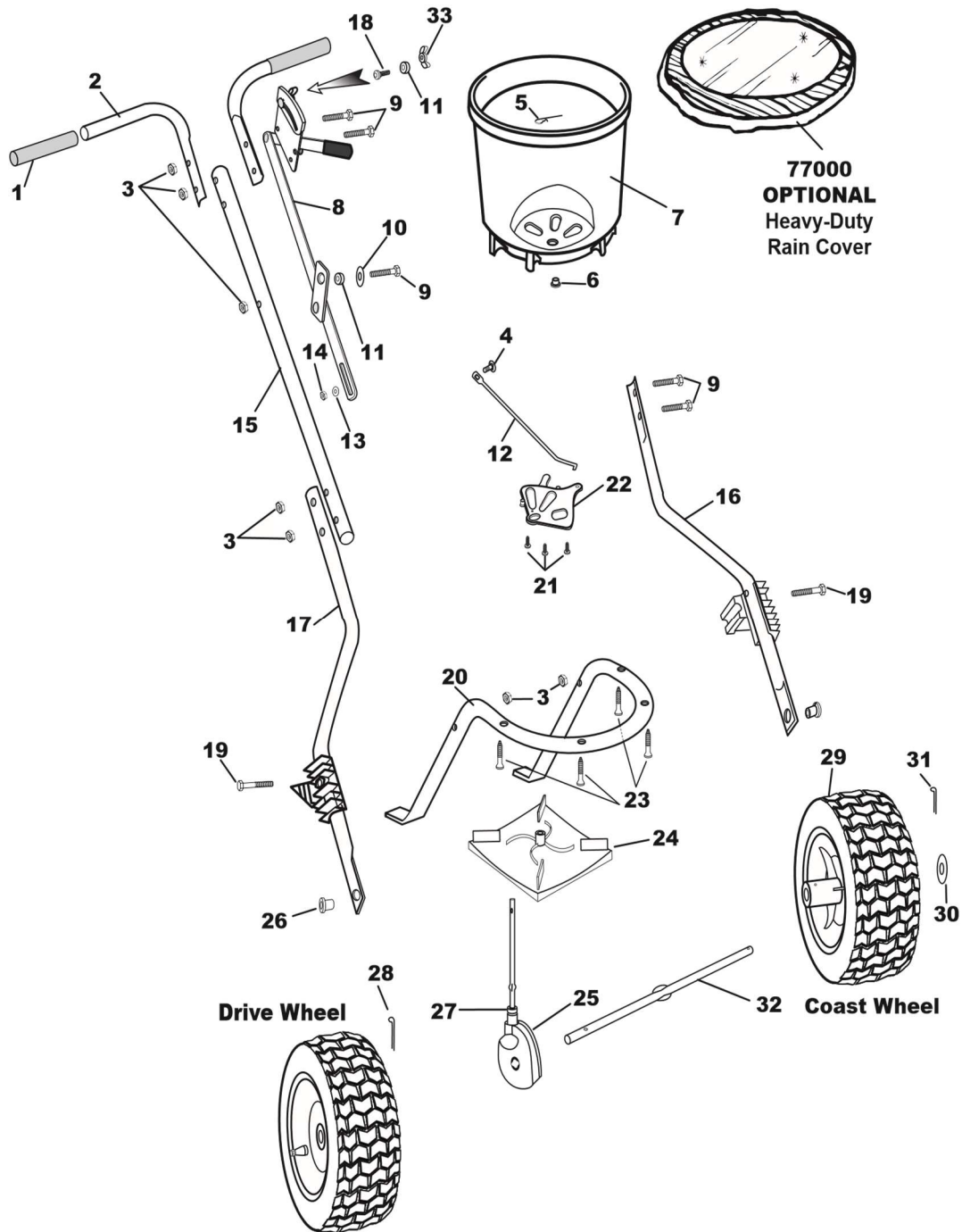
SideSpread-Control maintains the correct application rate while not placing material on driveways, sidewalks, flowerbeds, or worse, the storm drains in your street. This saves you money and keeps you from damaging your lawn.

To engage **SideSpread-Control**:

- 1) Locate the lever on under the right side of the hopper.
- 2) Slide the control lever from the front to the back.
- 3) Position the left wheel of your spreader 6"-12" from the sidewalk, flowerbed, or driveway and spread as normal.
- 4) When you have completed this spreading pass, close the control lever to "0", and then open the **SideSpread-Control™** by sliding the control lever from back to the front, for a **FULL**, 180 degree spread pattern.

HOW TO ORDER PARTS

Call or Email: TURF DEPOT 800-305-9255 or earthway@turfdepot.com



2600A-Plus Broadcast Spreader Parts List		
KEY #	PART #	DESCRIPTION
1	19115	HANDLE GRIPS
2	25403	UPPER HANDLE
3	32103	¼-20 NYLON LOCK NUT
4	36500	#10-24 X ½" CARRIAGE BOLT SS
5	33117	AGITATOR PIN
6	12220	GEAR BOX BUSHING
7	60089	HOPPER ASSEMBLY
8	60088	GAUGE & LINKAGE ASSEMBLY
9	31100	¼-20 x 1 ½" HHMS BOLT
10	34108	9/16" OD. X .257 ID. WASHER
11	12147	SPACER
12	41256	CONTROL ROD
13	34100	#10 FLAT WASHER SS
14	32108	10-24 HX. NUT ZINC PLATED
15	25304	HANDLE SHAFT
16	25210L	LOWER HANDLE - LEFT
17	25210R	LOWER HANDLE - RIGHT
18	37100	1/4-20 X 1" CARRIAGE BOLT ZINC
19	31106	1/4-20 X 2 1/4" HHCS ZINC
20	25107	FRAME
21	31138	#8 X 3/8" PMT #8 HD COARSE BLACK
22	12317SSC	SHUT OFF PLATE
23	31108	#10 X 1 1/4" TYPE A FHPS ZINC
24	12248	IMPELLER DISHED
25	60451	GEAR BOX ASSEMBLY
26	12167	SPACER BEARING
27	12206	DUST COVER (GEAR BOX) RND
28	33107	1/8" X 1 3/4" COTTER PIN S.S.
29	70149	9 IN PNEUMATIC WHEEL
30	34103	1"OD X 17/32"ID X 1/32" WASHER ZINC
31	33106	1/8" X 3/4" COTTER PIN ZINC
32	23519	COINED AXLE
33	60027	WING NUT ASSEMBLY BLACK

CUSTOMER SERVICE

SUPPORT@EARTHWAY.COM | www.EARTHWAY.com | 1009 Maple Street, Bristol, IN 46507

ONE YEAR WARRANTY

Limited Warranty

EarthWay Products, Inc. provides this limited warranty that this product is free of defects in original workmanship and materials for a period of one year to the end user with the original purchase receipt. If a manufacturing non-conformance is found, EarthWay Products, Inc. at its discretion will repair or replace the part(s)/product at no charge provided the failure is not the result of incorrect installation, mishandling, misuse, tampering, improper storage, or normal wear and tear as determined by EarthWay. Due to the corrosive nature of most fertilizers and ice melt products, EarthWay Products, Inc. makes no warranty against and specifically excludes part(s) or product degradation or failure due to corrosion or its effects .

EarthWay at its discretion may require that the part(s) or product be returned along with the original purchase receipt for examination and compliance with the terms of this limited warranty. Do not return any product without first receiving authorization from EarthWay Products, Inc. IN NO EVENT SHALL EITHER PARTY BE LIABLE TO THE OTHER FOR SPECIAL, INDIRECT, INCIDENTAL OR CONSEQUENTIAL DAMAGES, EVEN IF SUCH PARTY SHALL HAVE BEEN ADVISED OF THE POSSIBILITY OF THE SAME. To seek remedy under this limited warranty, contact EarthWay Products, Inc. at support@earthway.com or write to EarthWay Products, Inc. 1009 Maple Street, Bristol, IN 46507 and describe the nature of the manufacturing defect. SPECIFIC LIMITATIONS: This limited warranty covers only the part(s) or product; any labor charges associated with repair or replacement of non-conformances are specifically excluded.

The above-listed warranty procedure is a condition precedent to bringing any legal action to enforce this limited warranty. Any action to enforce any portion of this limited warranty must be commenced within ninety days after the expiration of the limited warranty coverage period. Any performance of repairs will not suspend this limitation period from expiring, unless state law provides otherwise. Any performance of repairs after the limited warranty coverage period has expired, or performance of repairs regarding anything excluded from coverage under this limited warranty shall be considered “good will” repairs, and they will not change the express terms of this limited warranty or extend the limited warranty coverage period.

Exclusive jurisdiction for deciding legal disputes relating to alleged breach of warranty or representations of any nature relating to this limited warranty must be filed in the courts of Elkhart County within the State of Indiana. Any and all claims, controversies, and causes of action arising out of or relating to this limited warranty, whether sounding in contract, tort or statute, will be governed by the laws of the State of Indiana, without giving effect to any choice or conflict of law provision or rule.

NO OTHER WARRANTY, EXPRESS, IMPLIED OR STATUTORY, SHALL APPLY, INCLUDING, BUT NOT LIMITED TO, ANY IMPLIED WARRANTY OF MERCHANTABILITY, APPLICATION OR FITNESS FOR A PARTICULAR PURPOSE, OR ANY OTHER WARRANTY OBLIGATION ON THE PART EARTHWAY, AND ALL SUCH WARRANTIES ARE EXPRESSLY DISCLAIMED. In the event that applicable law prevents the disclaimer of any implied warranties, then such implied warranty shall be limited to the fullest extent permitted by law. Without limiting the foregoing, if applicable prevents the disclaimer of any such implied warranties, this limited warranty limits the period of time in which a claim for breach of implied warranties, including but not limited to the implied warranty of merchantability or fitness for a particular purpose, may be filed. In

such event, any claim for breach of implied warranty must be brought before the expiration of this express limited warranty's one year term.