

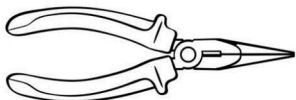


Visit our EarthWay website to see the assembly video.

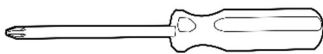


Prior to assembly, you will need the following tools:

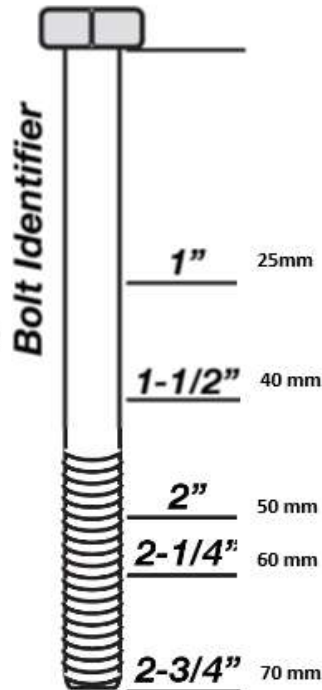
Needle nose pliers



#2 Phillips screwdriver



Two 7/16" adjustable or box wrenches



SIDE SPREAD CONTROL

SIDESPREAD CONTROL™

Patent U.S. 10,993,368

Your EarthWay spreader includes a patented feature to prevent fertilizer from being spread to the left side. To activate this feature, slide the lever below the hopper to the back (if standing behind the spreader) and position the left wheel 6"-12" from your sidewalk or border. While activated, the spreader will not waste fertilizer like competitor designs. Competitor deflectors leave 7X the fertilizer inside the wheels from blocking all the material leaving the impeller.

ASSEMBLY HARDWARE



QTY 2
1 1/2" Bolts
40mm Bolts



QTY 3
1 3/4" Bolts
45mm Bolts



QTY 6
2" Bolts
50MM Bolts



QTY 2
2 1/8" Bolts
55 mm Bolts

Agitator



Hog Ring



Bushing



QTY 6 – SS M6 Locknuts
QTY 5 – Zinc M6 Locknuts

Spring Clip



Bearing



*You may receive more hardware than is needed for this assembly process.

WARNING

ROCK SALT and POWDERED MATERIALS should not be used in this spreader as it will damage the gearbox and can void the warranty. Use only granular material.

HELPFUL HINTS

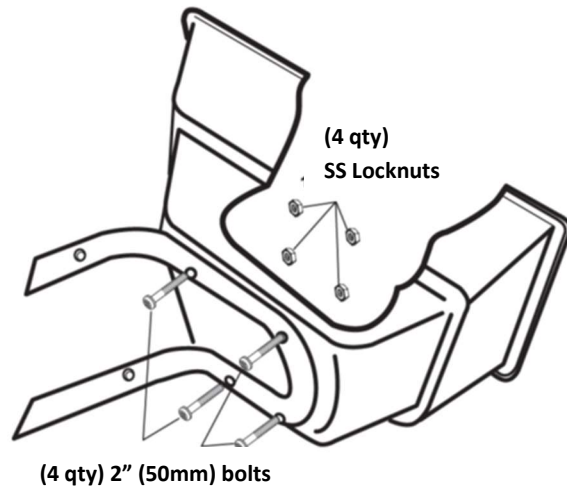
- ☑ Read the directions before assembly.
- ☑ If your spreader does not spread evenly, be sure “FRONT” on the GEARBOX points to the front of the spreader. **The impeller must turn clockwise when pushing forward.** Reversing the GEARBOX during assembly will cause issues.
- ☑ Your spreader is calibrated for three miles per hour, which is a brisk walking speed. Slower or faster speeds will change the spread pattern. Wet fertilizer will also change the spread pattern and flow rate. **Do not use powdered materials as it will damage the gearbox.**
- ☑ Gears are permanently lubricated at the factory. Do not open the GEARBOX or dirt may enter.

ASSEMBLY INSTRUCTIONS

Step 1: Remove all components and hardware items from the box. Place the spreader HOPPER upside down and face the front (logo) away from yourself.

Step 2: Install FRAME using (4) 2” (50mm) bolts and secure with (4) stainless steel locknuts. **TIGHTEN THESE NOW.**

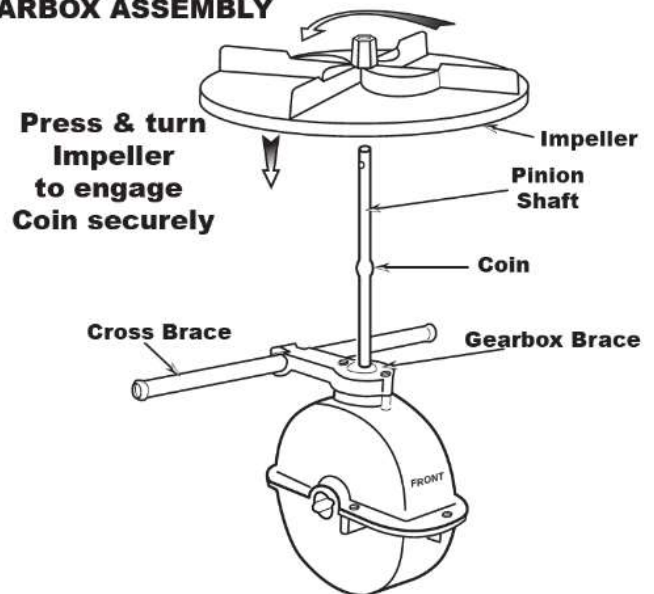
TIP: The bolts needed for the hopper assembly are located in the gauge and lever assembly.



Step 3: Insert IMPELLER onto PINION SHAFT by pressing the impeller down onto the coined portion of the shaft (see image to the right). Make sure you line up the coin to the notches in the impeller hole.

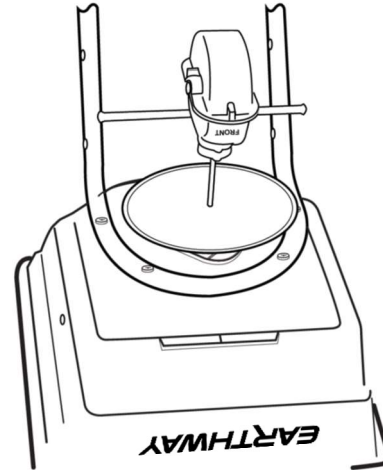
Next, insert CROSS BRACE into the GEARBOX BRACE as shown to the right.

GEARBOX ASSEMBLY



Step 4: Install GEARBOX by inserting the PINION SHAFT into hole in center of HOPPER bottom. The word "FRONT" on the GEARBOX must point to Front of the HOPPER.

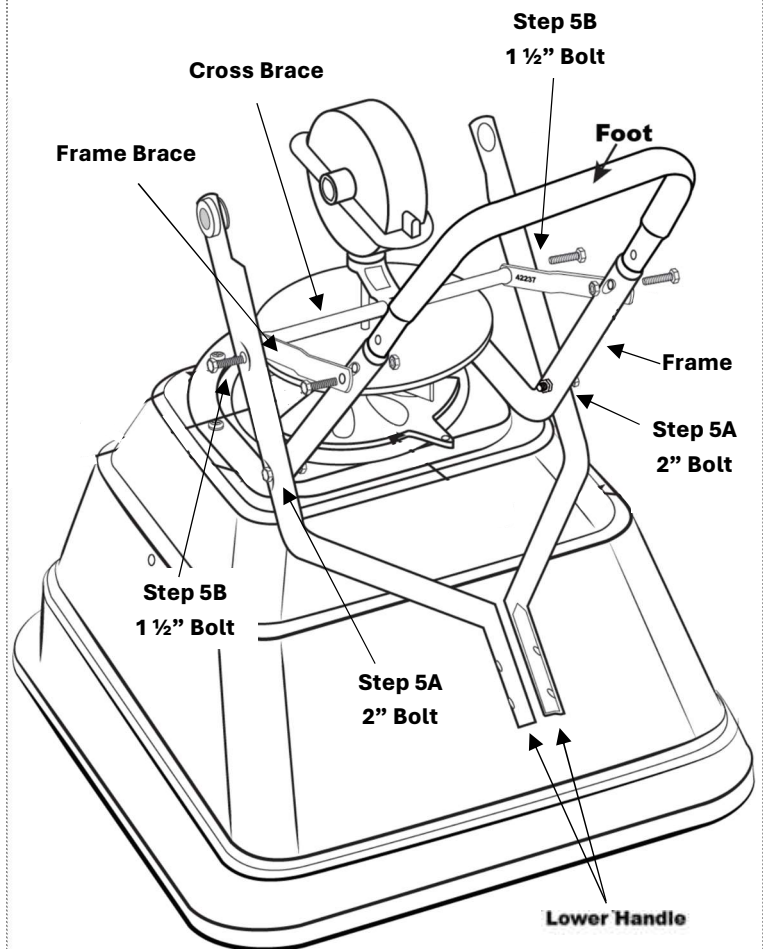
NOTE: The EarthWay logo is on the front of the hopper.



Step 5: (A) Install LOWER HANDLES onto FRAME to both sides as shown. Insert (2) 2" (50mm) bolts through holes in LOWER HANDLE pushing it all the way through the FRAME. Secure with (2) locknuts. **DO NOT TIGHTEN ALL THE WAY.**

(B) Now line up your CROSS BRACE with the FRAME BRACE and LOWER HANDLE and insert (2) 1½" (40mm) bolts. Locknuts are not needed for this step as the bolts with thread and tighten into the CROSS BRACE.

NOTE: Only one bolt will thread into the cross brace on each side.

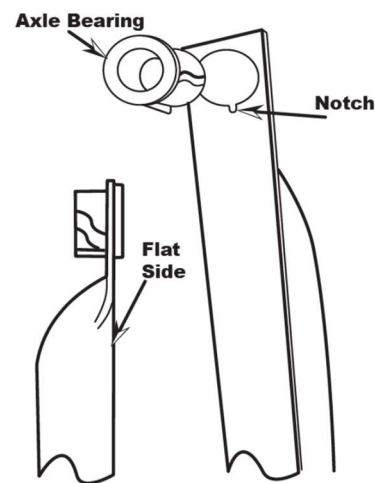
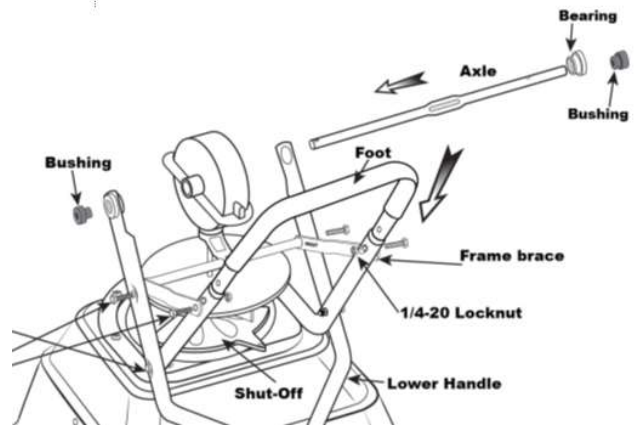


Step 6: Take the end of the AXLE that has the holes closest to the end and push it through the LOWER HANDLES and GEARBOX moving from the right to the left (shown in image to the right).

NOTE: Like the Impeller and Pinion Shaft, the Gearbox and Axle are also coined. You will need to line up the coin on the Axle to the notches inside the Gearbox hole.

Step 7: Slide the AXLE BEARINGS onto the axle and push until the bearings are firmly entered in the remaining gap in the lower handles. The “notch” on the bearing will fit into the “notch” on the handles as shown.

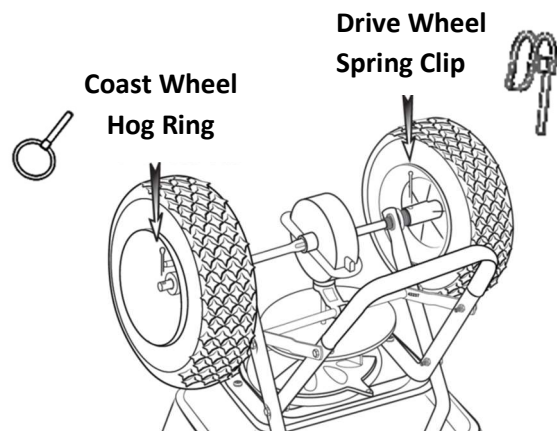
Step 8: Next, install AXLE BUSHING onto the axle, by placing the smaller end in first, slide over the AXLE, past the drilled holes and into the AXLE BEARINGS. The two pieces will fit snug together.



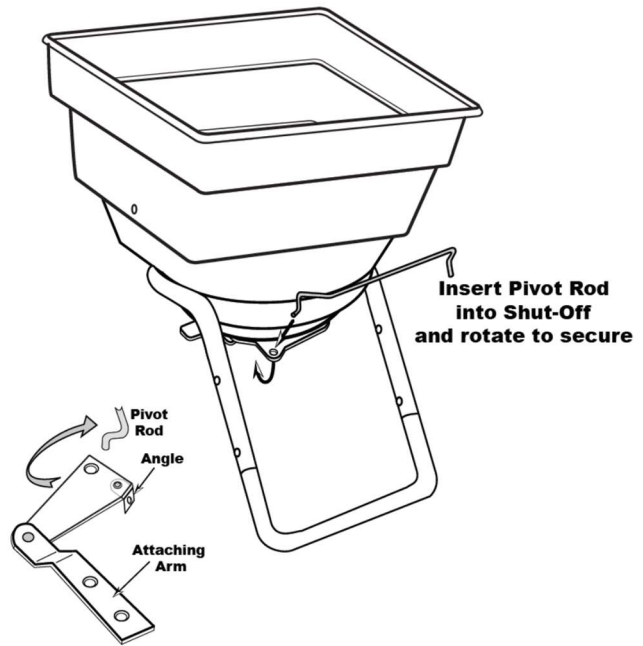
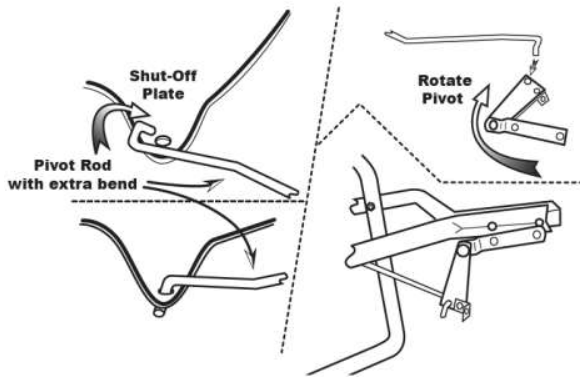
NOW GO BACK AND TIGHTEN ALL NUTS AND BOLTS STARTING WITH FIRST STEP. DO NOT OVER TIGHTEN.

Step 9: Install DRIVE WHEEL onto the AXLE and align with the pin hole nearest to LOWER HANDLE as shown. Insert 2” cotter pin through wheel and through AXLE. Bend with pliers to prevent pin from falling out.

Step 10: Install COAST WHEEL onto the AXLE fully, then using outside cotter pin hole, insert 1” cotter pin through AXLE (**not thru the wheel**). Bend with pliers to prevent pin from falling out. Now flip your unit so that the unit is sitting on its tires and rest.

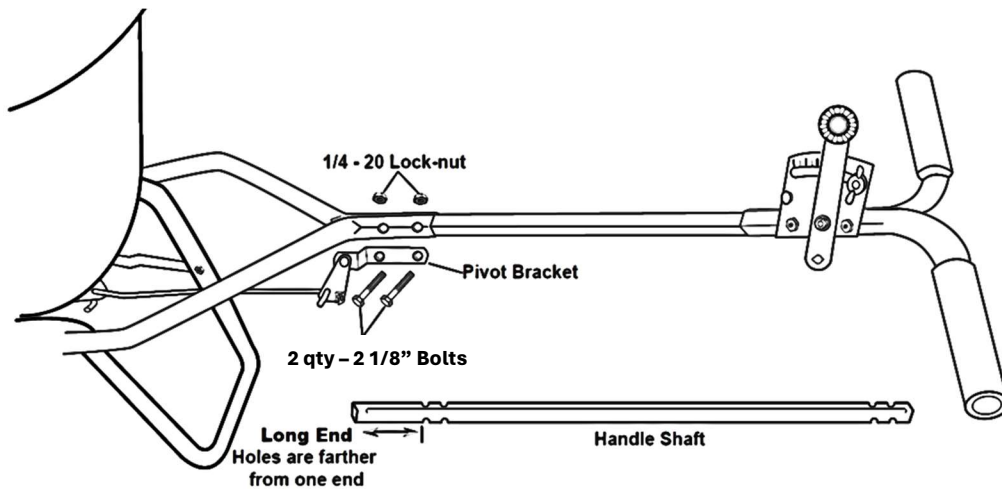


Step 11: Take the shortest end of the PIVOT ROD and insert into the SHUT-OFF PLATE. You may have two holes, use the hole closest to the edge of the plate. Insert the pivot rod through the hole (downward) and then rotate 90 degrees so that end is turned parallel as shown.



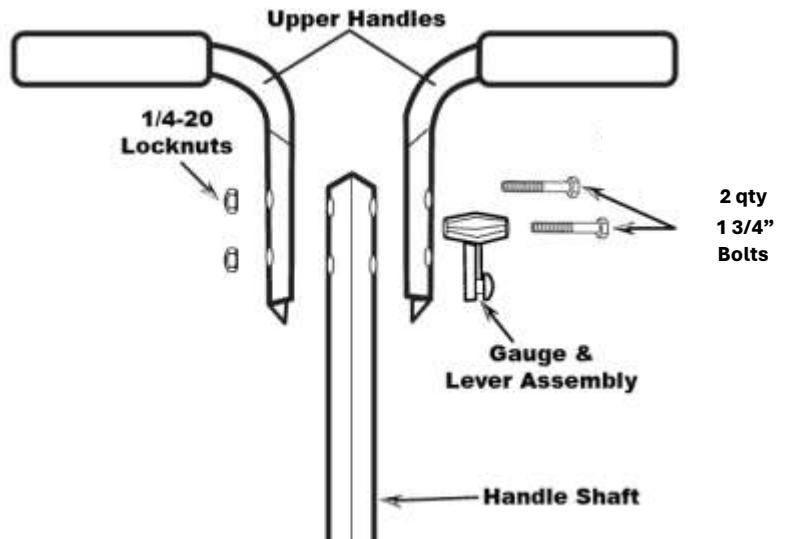
Step 12: Locate the PIVOT ROD bucket, insert the other end of the PIVOT ROD through the back of the PIVOT ROD BRACKET as shown.

Step 13: Install HANDLE SHAFT to LOWER HANDLES and PIVOT & BRACKET Assembly as shown below. Using 2 1/8" (55mm) bolts and locknuts. **TIGHTEN BOLTS AND NUTS NOW.**



Step 14: Insert (2) 1 3/4" (45MM) bolts through the GAUGE & LEVER assembly, left UPPER HANDLE, HANDLE SHAFT, and then the right UPPER HANDLE and secure with (2) locknuts. **TIGHTEN ALL HARDWARE NOW.**

NOTE: Tall operator handle instructions are located near the end of this manual.

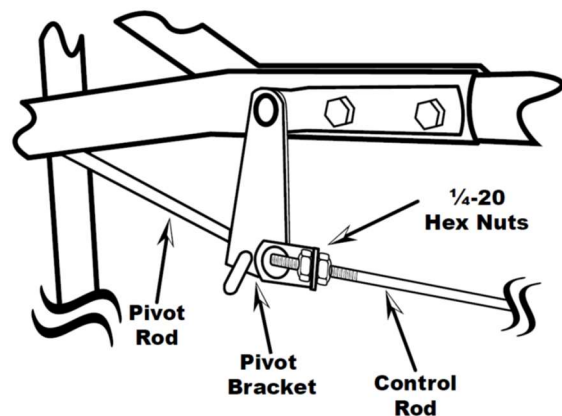
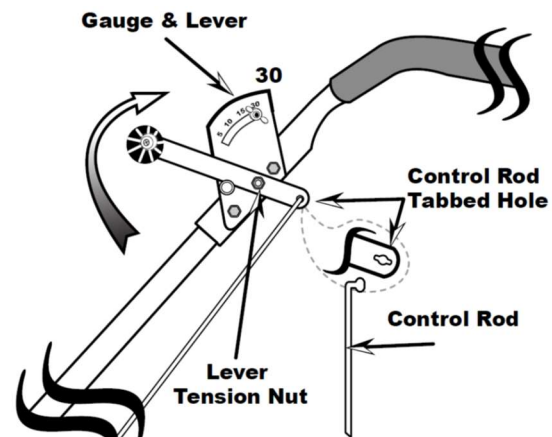


Step 15: Install flattened end of CONTROL ROD in to LEVER on GAUGE as shown. Turn to lock in place. Next, take off the bottom nut on the threaded end of the CONTROL ROD.

Step 16: Now, push LEVER forward to setting "0" and align CONTROL ROD with Angle on the PIVOT BRACKET, pull control rod forward to slide it through the Angle.

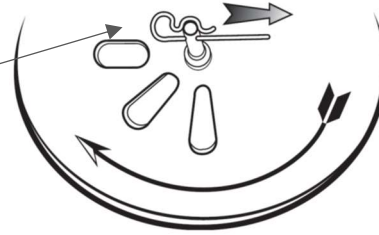
Step 17: Before re-installing the nut on to the control rod, make sure your LEVER is on setting "30" and that your drop holes in the hopper are fully open. Tighten nut onto threads until the Angle is firmly between the two nuts.

TIP: To open drop holes simply push the pivot rod forward until holes are completely open.



Step 18: Insert agitator to pinion shaft on inside of hopper.

Note: the position of flat side of the agitator. This pin should be installed as shown.



OPERATING INSTRUCTIONS

- ☑ Obtain proper setting for material to be used from the enclosed SETTING MATRIX included with this spreader, or from our web site under the MANUALS SECTION.
- ☑ Set stop bolt on rate gauge assembly to the proper rate setting.
- ☑ While pushing spreader forward, pull control lever back to stop bolt, to stop spreading, push lever forward to close flow holes before you stop moving.
- ☑ When finished, empty any remaining material from hopper, rinse spreader, apply coating of light oil to all metal parts. The gearbox is sealed and is factory lubricated.

SIDESPREAD CONTROL™

The **SideSpread-Control** is a patented innovation that is superior to side deflectors. Side deflectors block material leaving the impeller. This blocked material is now consolidated into a 2-3" wide path on the left inside wheel of your spreader. This equates to wasted fertilizer, dark green stripes, and in some cases this extra fertilizer (seven times) will damage the lawn.

SideSpread-Control maintains the correct application rate while not placing material on driveways, sidewalks, flowerbeds, or worse, the storm drains in your street. This saves you money and keeps you from damaging your lawn.

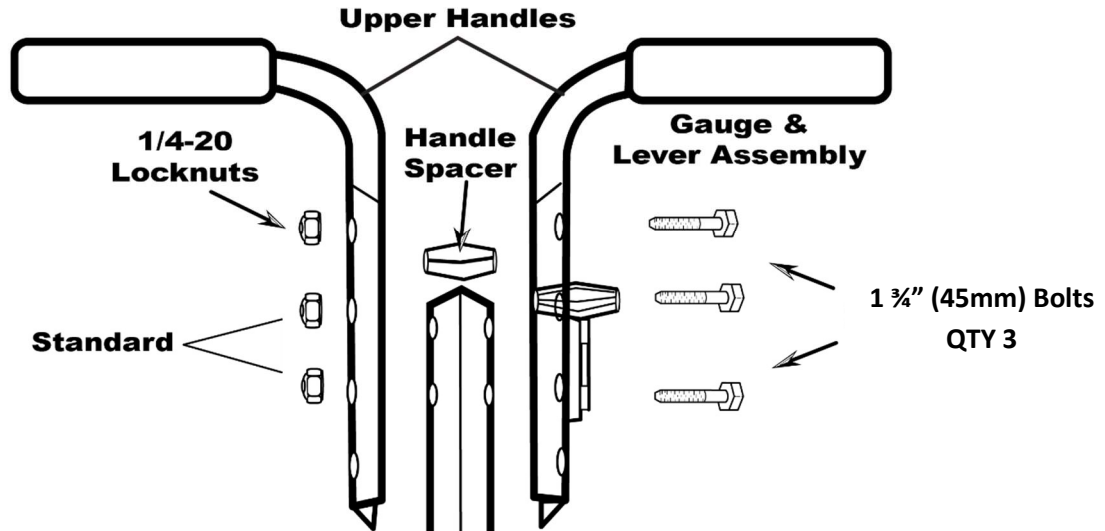
To engage **SideSpread-Control**:

- 1) Locate the lever on under the right side of the hopper.
- 2) Slide the control lever from the front to the back.
- 3) Position the left wheel of your spreader 6"-12" from the sidewalk, flowerbed, or driveway and spread as normal.
- 4) When you have completed this spreading pass, close the control lever to "0", and then open the **SideSpread-Control™** by sliding the control lever from back to the front, for a **FULL**, 180 degree spread pattern.

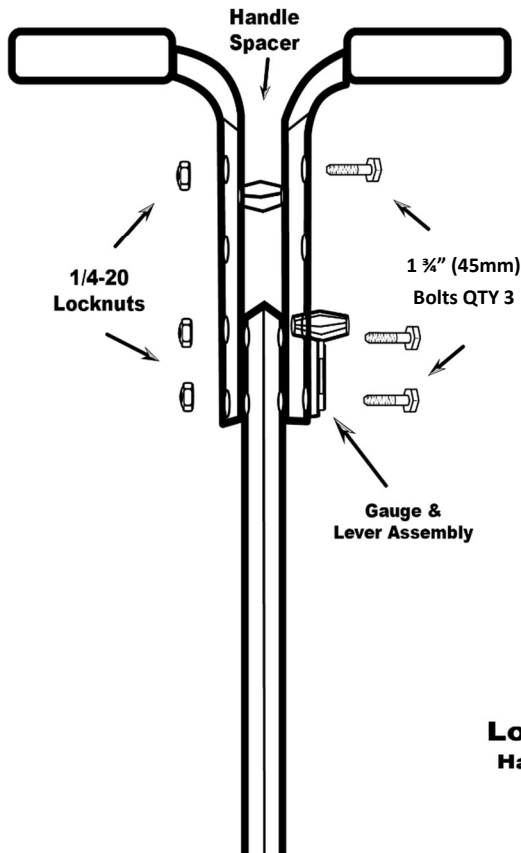
HANDLE ADJUSTMENT INSTRUCTIONS

TALL OPERATOR CONFIGURATION – with the four handle holes, use the bottom two holes for the gauge and use the top two holes for the spacer.

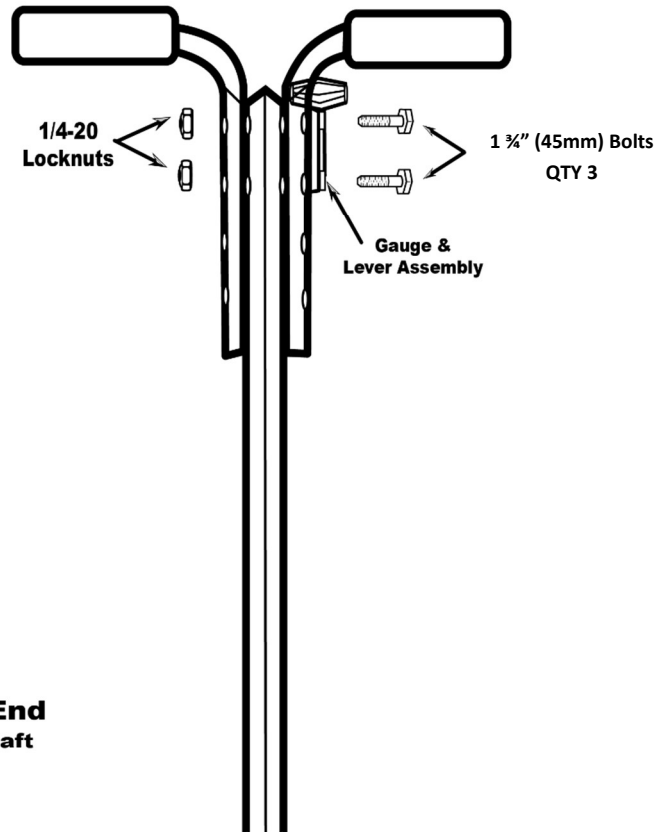
STANDARD POSITION



Long Position



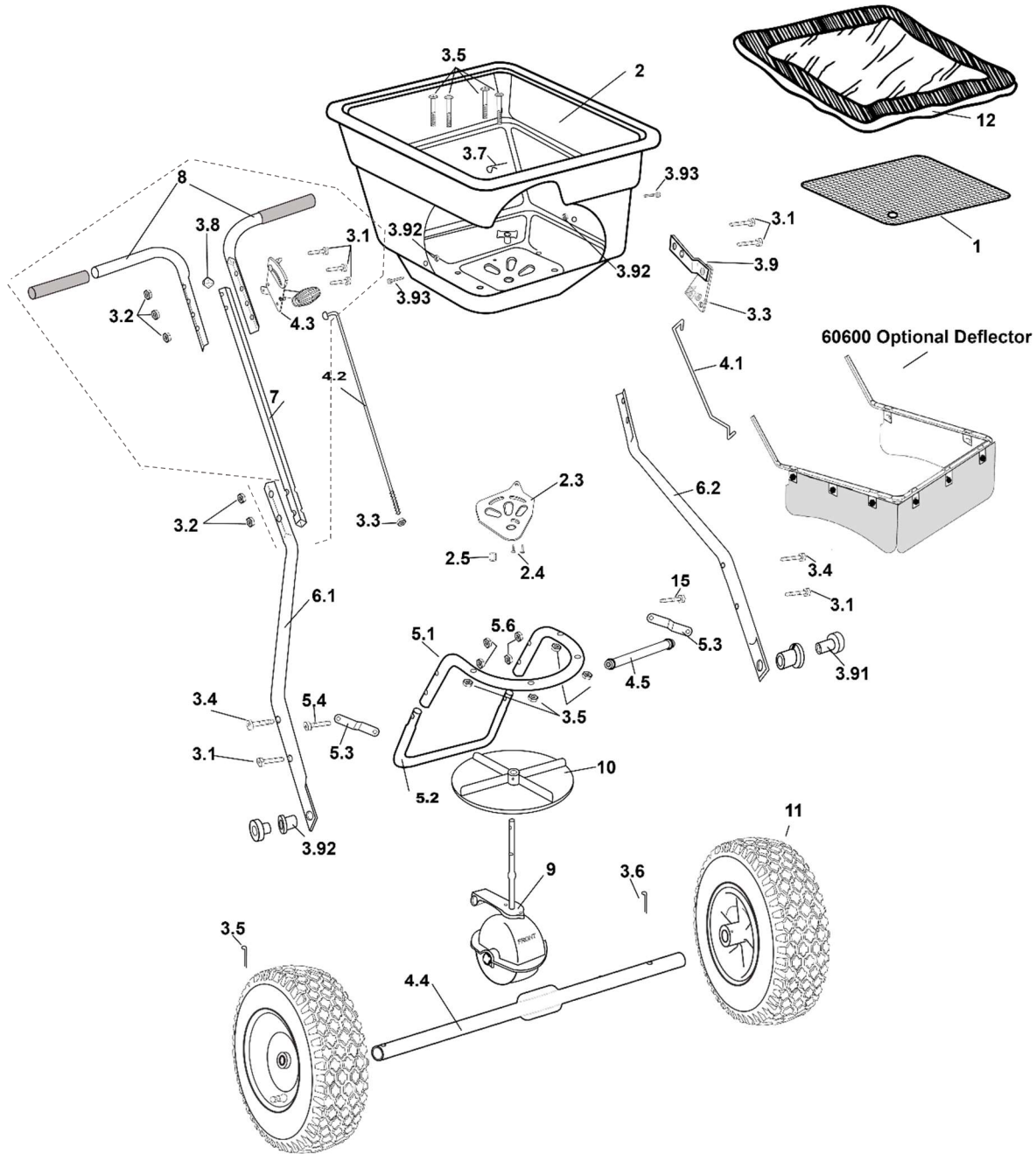
Short Position



**Longer End
Handle Shaft**

HOW TO ORDER PARTS

Call or Email: TURF DEPOT 800-305-9255 or earthway@turfdepot.com



100 POUND (2170) Broadcast Spreader Parts List					
SERIES	PART #	DESCRIPTION	SERIES	PART #	DESCRIPTION
1	40003	SQUARE SCREEN	8	60175	OPERATOR T-HANDLES
2	60335	HOPPER ASSEMBLY KIT (2.1 – 2.6)	9	60333	GEARBOX & IMPELLER SHAFT KIT (9.1-9.2)
3	38144	HARDWARE KIT (3.1 - 3.92)	10	12110	IMPELLER
4	60260	CONTROL KIT & X-BRACE KIT (4.1- 4.5)	11	70138	13" PNEUMATIC TIRE
5	60603	LOWER FRAME ASSY KIT (5.1 – 5.6)	4.3	60298	GAUGE & LEVER ASSEMBLY
6	25222	HANDLE TO FRAME AXLE ARMS (6.1 & 6.2)	12	F77130	HEAVY DUTY RAIN COVER ACCESSORY
7	25223	HANDLE SHAFT - SQUARE		60600	THREE SIDE DEFLECTOR KIT

CUSTOMER SERVICE

SUPPORT@EARTHWAY.COM | www.EARTHWAY.com | 1009 Maple Street, Bristol, IN 46507

ONE YEAR WARRANTY

Limited Warranty

EarthWay Products, Inc. provides this limited warranty that this product is free of defects in original workmanship and materials for a period of one year to the end user with the original purchase receipt. If a manufacturing non-conformance is found, EarthWay Products, Inc. at its discretion will repair or replace the part(s)/product at no charge provided the failure is not the result of incorrect installation, mishandling, misuse, tampering, improper storage, or normal wear and tear as determined by EarthWay. Due to the corrosive nature of most fertilizers and ice melt products, EarthWay Products, Inc. makes no warranty against and specifically excludes part(s) or product degradation or failure due to corrosion or its effects .

EarthWay at its discretion may require that the part(s) or product be returned along with the original purchase receipt for examination and compliance with the terms of this limited warranty. Do not return any product without first receiving authorization from EarthWay Products, Inc. IN NO EVENT SHALL EITHER PARTY BE LIABLE TO THE OTHER FOR SPECIAL, INDIRECT, INCIDENTAL OR CONSEQUENTIAL DAMAGES, EVEN IF SUCH PARTY SHALL HAVE BEEN ADVISED OF THE POSSIBILITY OF THE SAME. To seek remedy under this limited warranty, contact EarthWay Products, Inc. at support@earthway.com or write to EarthWay Products, Inc. 1009 Maple Street, Bristol, IN 46507 and describe the nature of the manufacturing defect. SPECIFIC LIMITATIONS: This limited warranty covers only the part(s) or product; any labor charges associated with repair or replacement of non-conformances are specifically excluded.

The above-listed warranty procedure is a condition precedent to bringing any legal action to enforce this limited warranty. Any action to enforce any portion of this limited warranty must be commenced within ninety days after the expiration of the limited warranty coverage period. Any performance of repairs will not suspend this limitation period from expiring, unless state law provides otherwise. Any performance of repairs after the limited warranty coverage period has expired, or performance of repairs regarding anything excluded from coverage under this limited warranty shall be considered "good will" repairs, and they will not change the express terms of this limited warranty or extend the limited warranty coverage period.

Exclusive jurisdiction for deciding legal disputes relating to alleged breach of warranty or representations of any nature relating to this limited warranty must be filed in the courts of Elkhart County within the State of Indiana. Any and all claims, controversies, and causes of action arising out of or relating to this limited warranty, whether sounding in contract, tort or statute, will be governed by the laws of the State of Indiana, without giving effect to any choice or conflict of law provision or rule.

NO OTHER WARRANTY, EXPRESS, IMPLIED OR STATUTORY, SHALL APPLY, INCLUDING, BUT NOT LIMITED TO, ANY IMPLIED WARRANTY OF MERCHANTABILITY, APPLICATION OR FITNESS FOR A PARTICULAR PURPOSE, OR ANY OTHER WARRANTY OBLIGATION ON THE PART EARTHWAY, AND ALL SUCH WARRANTIES ARE EXPRESSLY DISCLAIMED. In the event that applicable law prevents the disclaimer of any implied warranties, then such implied warranty shall be limited to the fullest extent permitted by law. Without limiting the foregoing, if applicable prevents the disclaimer of any such implied warranties, this limited warranty limits the period of time in which a claim for breach of implied warranties, including but not limited to the implied warranty of merchantability or fitness for a particular purpose, may be filed. In such event, any claim for breach of implied warranty must be brought before the expiration of this express limited warranty's one year term.