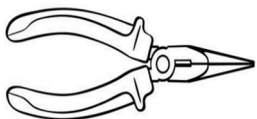


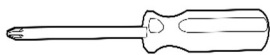


Prior to assembly, you will need the following tools:

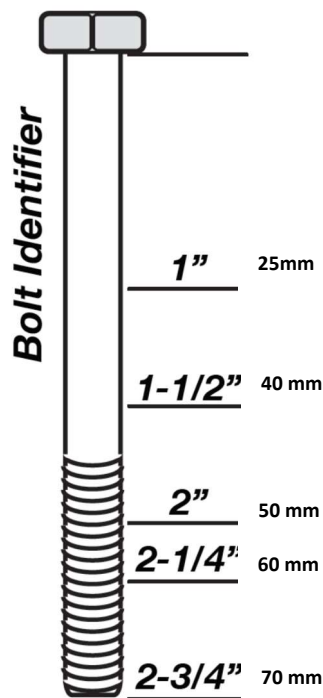
Needle nose pliers



#2 Phillips screwdriver



Adjustable wrench or 1/2" box wrench



SIDE SPREAD CONTROL

SIDESPREAD CONTROL™

Patent U.S. 10,993,368

Your EarthWay spreader includes a patented feature to prevent fertilizer from being spread to the left side. To activate this feature, slide the lever below the hopper to the back (if standing behind the spreader) and position the left wheel 6"-12" from your sidewalk or border. While activated, the spreader will not waste fertilizer like competitor designs. Competitor deflectors leave 7X the fertilizer inside the wheels from blocking all the material leaving the impeller.

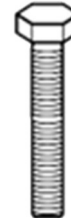
ASSEMBLY HARDWARE



QTY 4
Philips
Screws



QTY 2
1 1/2" Bolts
40mm Bolts



QTY 3
1 3/4" Bolts
45mm Bolts



QTY 6
2" Bolts
50MM Bolts



QTY 2
2 1/8" Bolts
55 mm Bolts

Agitator



Hog Ring



Bushing



QTY 6 – SS M6 Locknuts
QTY 5 – Zinc M6 Locknuts

Spring Clip



Bearing



*You may receive more hardware than is needed for this assembly process.

WARNING

ROCK SALT and POWDERED MATERIALS should not be used in this spreader as it will damage the gearbox and can void the warranty. Use only granular materials.

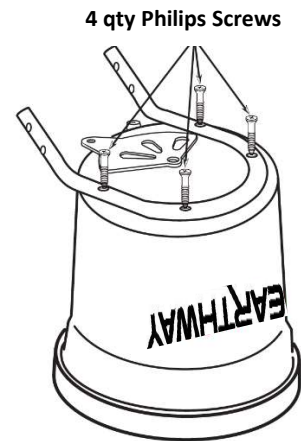
HELPFUL HINTS

- ☑ Read the directions before assembly.
- ☑ If your spreader does not spread evenly, be sure "FRONT" on the GEARBOX points to the front of the spreader. **The impeller must turn clockwise when pushing forward.** Reversing the GEARBOX will cause the impeller to turn counter clockwise. Clean the impeller plate after each use. Fertilizer stuck on the impeller blades will cause uneven spreading.
- ☑ Your spreader is designed to be pushed at three miles per hour, which is a brisk walking speed. Slower or faster speeds will change the spread patterns. Wet fertilizer will also change the spread pattern and flow rate. **Clean and dry** your spreader thoroughly after each use. Coat all metal surfaces (**inside & outside of tubing**) with light oil, Fluid Film® or silicon spray to help prevent corrosion. Wash between the shut off plate and bottom of the hopper. **Do not use powdered materials as it will damage the gearbox.**
- ☑ Gears are permanently lubricated at the factory. Do not open the GEARBOX or dirt may enter.

ASSEMBLY INSTRUCTIONS

Step 1: Remove all components and hardware items from the box. Place the spreader HOPPER upside down and face the front (logo) away from yourself.

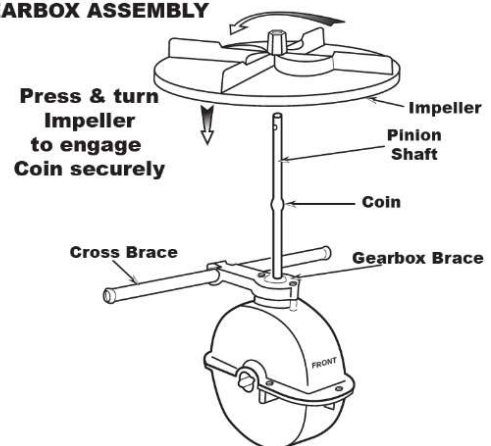
Step 2: Install FRAME using (4) 1 ½" (40mm) Phillips screws. **TIGHTEN THESE NOW**



Step 3: Insert IMPELLER onto PINION SHAFT by pressing the impeller down onto the coined portion of the shaft (see image to the right).

Next, insert CROSS BRACE into the GEARBOX BRACE as shown to the right.

GEARBOX ASSEMBLY

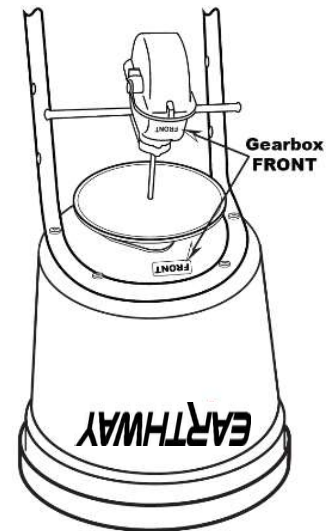


MODEL # 2150

ASSEMBLY INSTRUCTIONS

Step 4: Install GEARBOX by inserting the PINION SHAFT into hole in center of HOPPER bottom. The word "FRONT" on the GEARBOX must point to Front of the HOPPER.

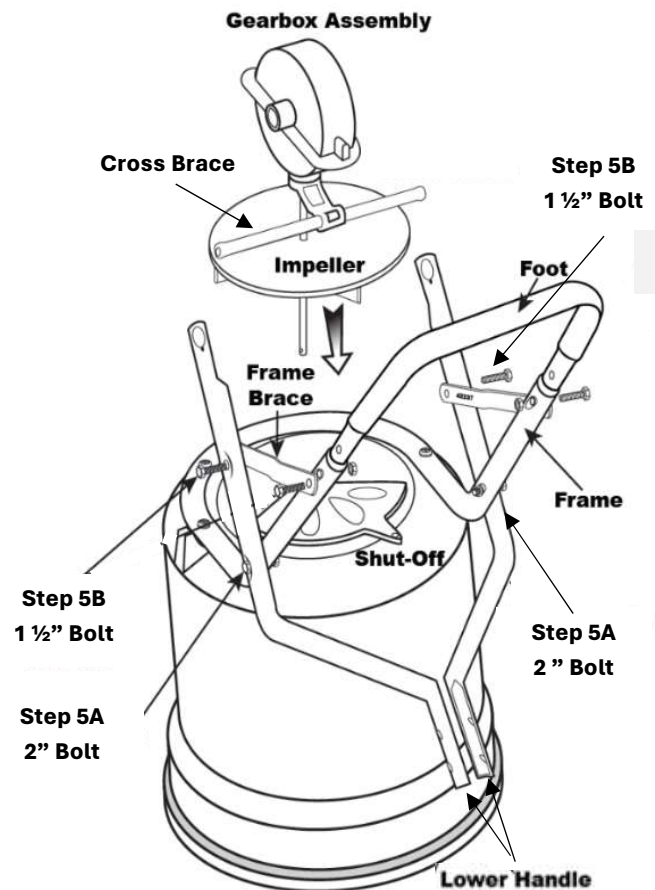
NOTE: The EarthWay logo is on the front of the hopper.



Step 5: (A) Install LOWER HANDLES onto FRAME to both sides as shown. Insert (2) 2" (50mm) bolt through hole in LOWER HANDLE pushing it all the way through the FRAME. Secure with (2) locknuts. **DO NOT TIGHTEN ALL THE WAY.**

(B) Now line up your CROSS BRACE with the FRAME BRACE and LOWER HANDLE and insert (2) 1½" (40mm) bolts. Locknuts are not needed for this step as the bolts with thread and tighten into the CROSS BRACE. **DO NOT TIGHTEN ALL THE WAY.**

NOTE: Only one bolt will thread into the cross brace on each side.



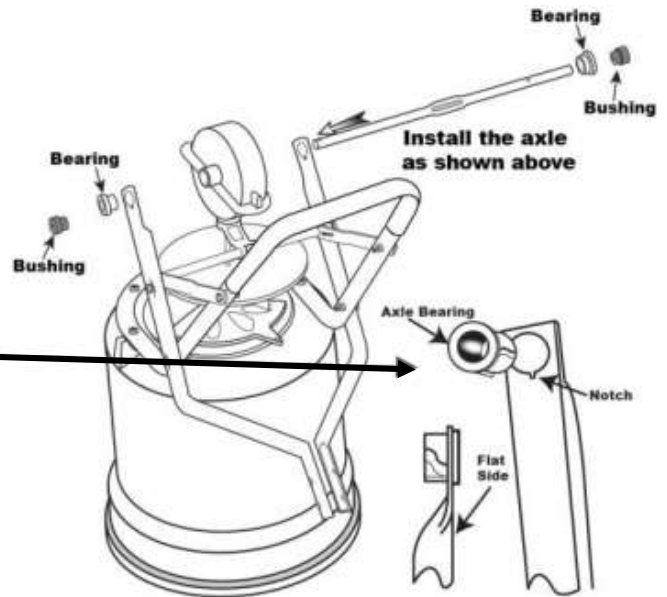
MODEL # 2150

ASSEMBLY INSTRUCTIONS

Step 6: Slide AXLE into the LOWER HANDLE, then the GEARBOX and into the other LOWER HANDLE as shown to the right. Next, install AXLE BEARINGS over the AXLE and into both LOWER HANDLES as shown.

NOTE: You will need to align the tab on BEARINGS to the notches in the LOWER HANDLES. This is designed to be a tight fit.

Next, slide the BUSHINGS over the AXLE and into the BEARINGS.



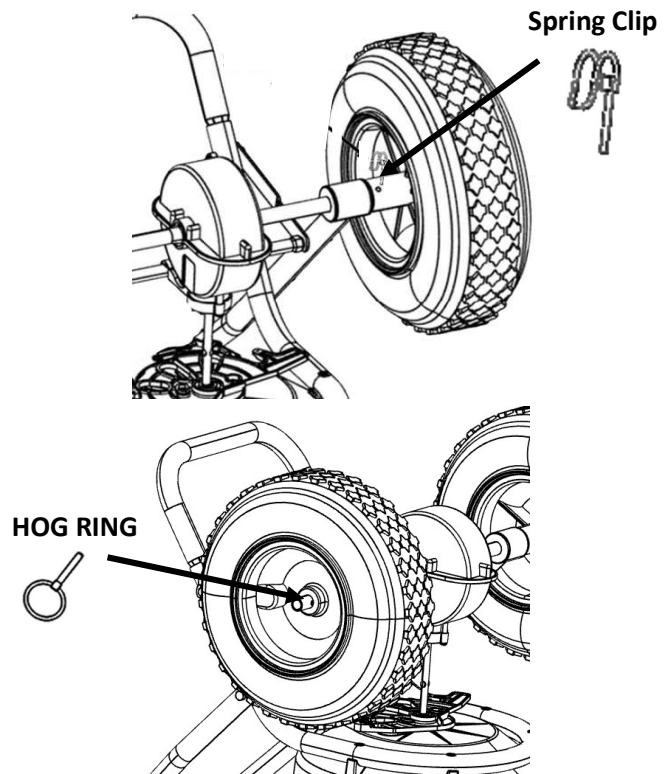
NOW GO BACK AND TIGHTEN ALL NUTS AND BOLTS STARTING WITH FIRST STEP. DO NOT OVER TIGHTEN.

Step 7: Now, take your spreader (still upside down) and turn it so that the front of the hopper (logo) is facing you. Take one of the TIRES and slide it onto the AXLE from the right side. Line up the hole on the inside of the tire rim to the hole on the AXLE and secure with your SPRING CLIP as shown to the right.

NOTE: This tire will line up with the hole that is farthest from the end of the AXLE and closest to the LOWER HANDLE.

Step 8: Next, take the remaining TIRE and slide in onto the AXLE from the left. The AXLE and axle hole will protrude through the the rim. Once the hole on the rim of the tire is lined up with the hole on the axle secure with the HOG RING.

NOTE: Close each ring and clip to make sure they do not fall out when moving spreader.



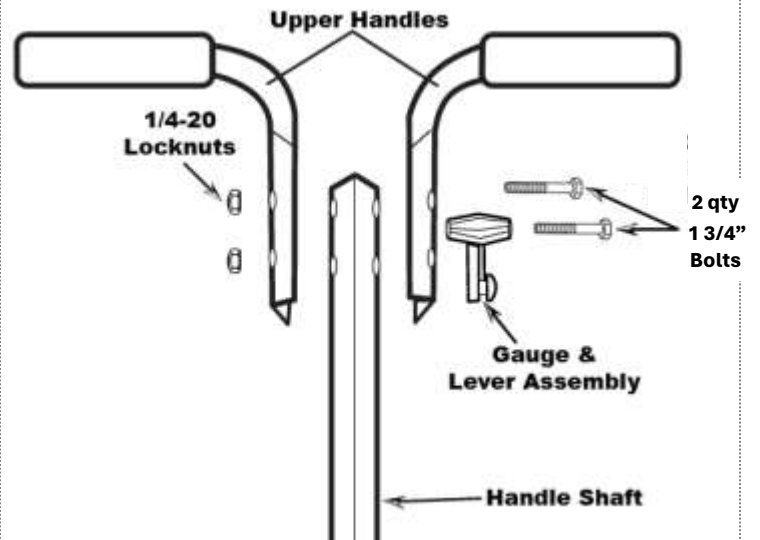
TURN SPREADER UPRIGHT ON TO WHEELS

MODEL # 2150

ASSEMBLY INSTRUCTIONS

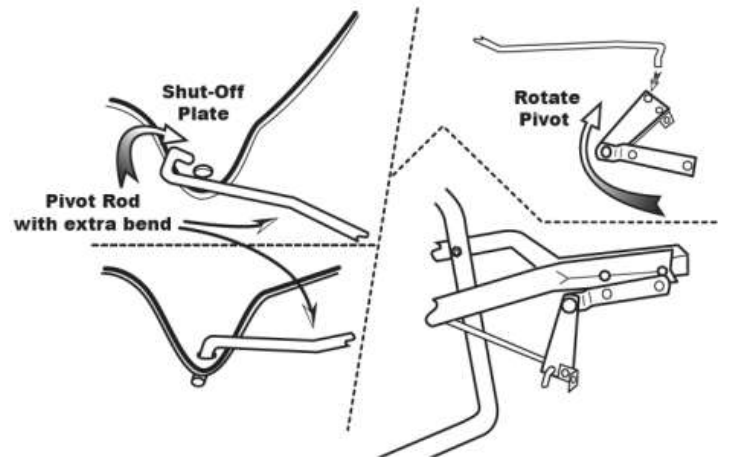
Step 9: Insert (2) 1 3/4" (45MM) bolts through the GAUGE & LEVER assembly, left UPPER HANDLE, HANDLE SHAFT, and then the right UPPER HANDLE and secure with (2) locknuts. **TIGHTEN ALL HARDWARE NOW.**

NOTE: Tall operator handle instructions are located near the end of this manual.

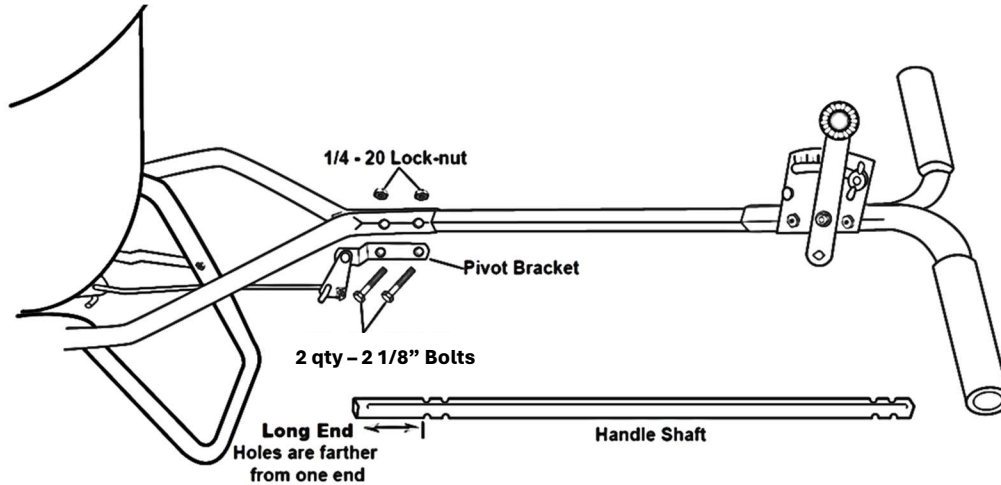


Step 10: Now take your PIVOT ROD and insert it into the SHUT-OFF PLATE as shown to the right. Turn to lock in place.

Step 11: Insert the other end of the PIVOT ROD into PIVOT & BRACKET assembly as shown. Turn to lock in place.



Step 12: Install HANDLE SHAFT to LOWER HANDLES and PIVOT & BRACKET assembly as shown. Using (2) 2 1/8" (55MM) bolts and locknuts. **TIGHTEN BOLTS AND NUTS NOW.**



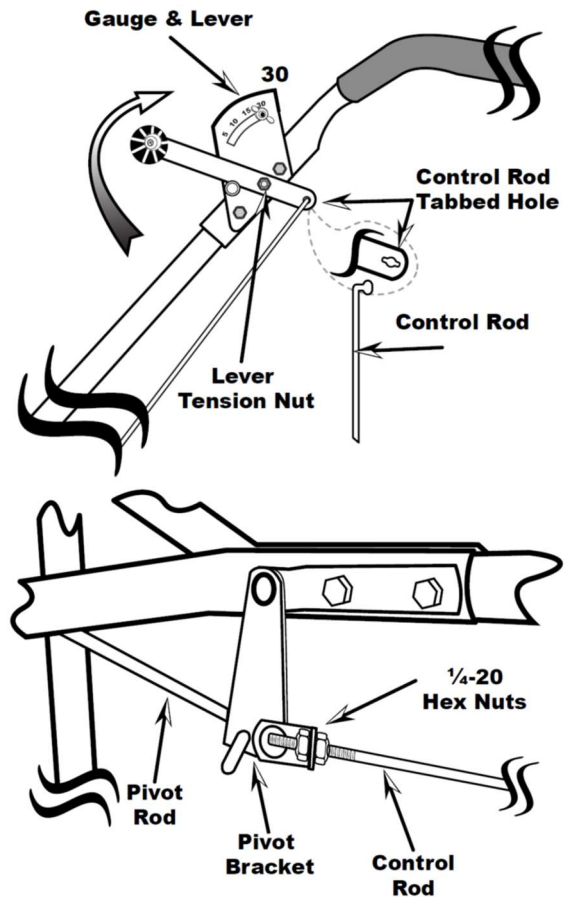
Step 13: Now take your CONTROL ROD and remove one of the nuts that is threaded at the bottom. Next, insert the flat side of the rod into the opening at the bottom of your LEVER as show in the image to the right. Turn to lock rod in place.

Step 14: Next, align CONTROL ROD with hole in PIVOT BRACKET, pull LEVER backward to rate setting "30" on the gauge assembly. Now, insert CONTROL ROD through hole in PIVOT BRACKET and secure by replacing the nut back on to the CONTROL ROD. **DO NOT TIGHTEN ALL THE WAY.**

CALIBRATION

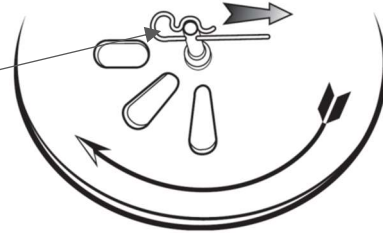
Step 15: To calibrate your spreader, pull the LEVER backwards to rate setting "30. Next push the PIVOT & BRACKET forward so that the shut off plate in the hopper is in the full open position. **REMEMBER SETTING "30" ON THE GAUGE & LEVER MUST PLACE THE SHUT-OFF PLATE IN THE FULL OPEN POSITION TO BE PROPERLY CALIBRATED.** Now tighten the nuts against the PIVOT BRACKET to prevent change in calibration.

NOTE: Tension on the flow control lever may be adjusted by tightening or loosening the tension nut as shown.



Step 16: Insert agitator to pinion shaft on inside of hopper.

Note: the position of flat side of the agitator. This pin should be installed as shown.



OPERATING INSTRUCTIONS

Before filling the hopper, become familiar with the operation of this spreader.

- ☑ Obtain proper setting for material to be used from the enclosed SETTING MATRIX included with this spreader, or from our web site under the MANUALS SECTION.
- ☑ Set stop bolt on rate gauge assembly to the proper rate setting.
- ☑ While pushing spreader forward, pull control lever back to stop bolt, to stop spreading, push lever forward to close flow holes before you stop moving.
- ☑ When finished, empty any remaining material from hopper, rinse spreader, apply coating of light oil to all metal parts. The gearbox is sealed and is factory lubricated.

SIDESPREAD CONTROL™

The **SideSpread-Control** is a patented innovation that is superior to side deflectors. Side deflectors block material leaving the impeller. This blocked material is now consolidated into a 2-3" wide path on the left inside wheel of your spreader. This equates to wasted fertilizer, dark green stripes, and in some cases this extra fertilizer (seven times) will damage the lawn.

SideSpread-Control maintains the correct application rate while not placing material on driveways, sidewalks, flowerbeds, or worse, the storm drains in your street. This saves you money and keeps you from damaging your lawn.

To engage **SideSpread-Control**:

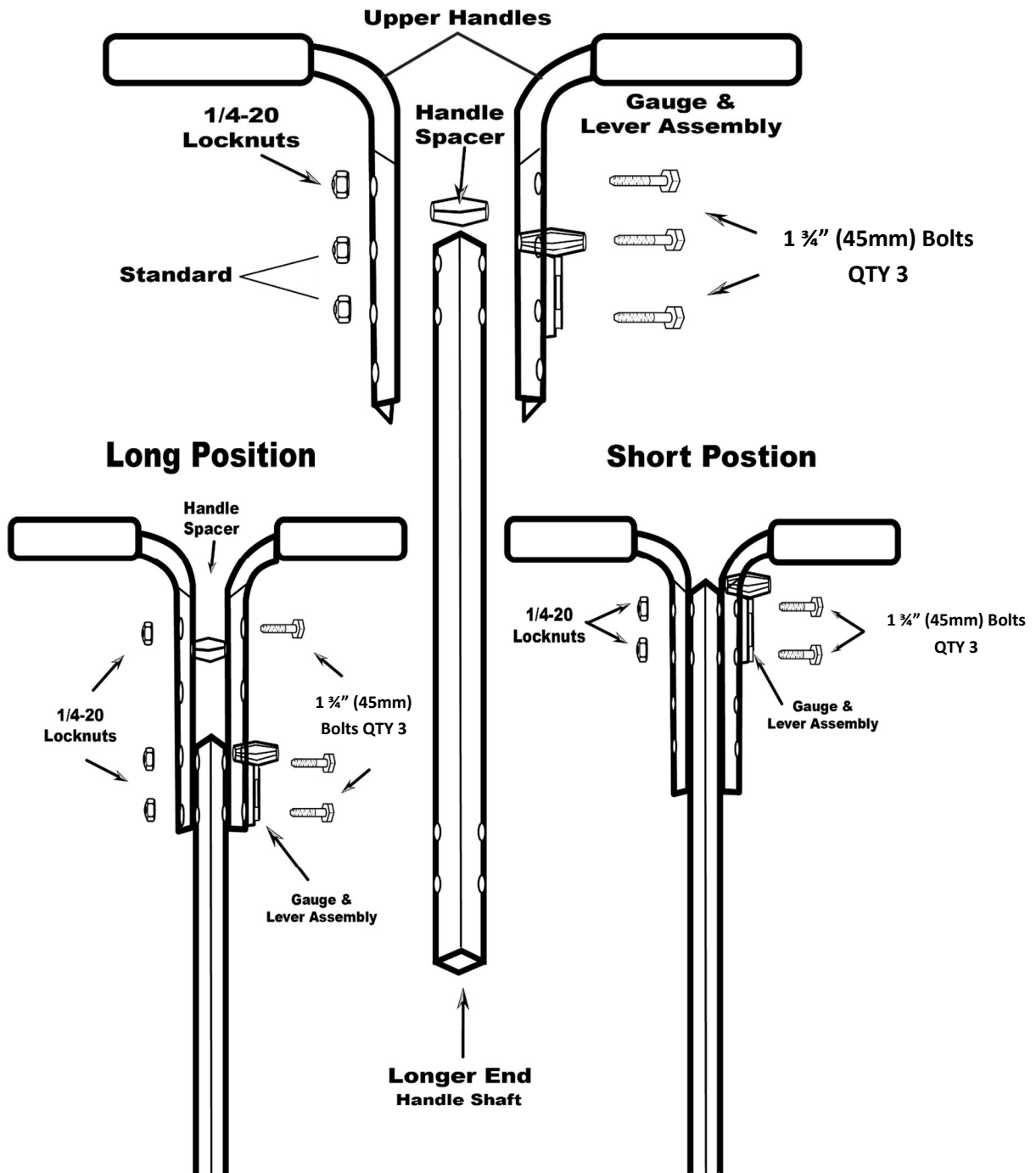
- 1) Locate the lever on under the right side of the hopper.
- 2) Slide the control lever from the front to the back.
- 3) Position the left wheel of your spreader 6"–12" from the sidewalk, flowerbed, or driveway and spread as normal.
- 4) When you have completed this spreading pass, close the control lever to "0", and then open the **SideSpread-Control™** by sliding the control lever from back to the front, for a **FULL**, 180 degree spread pattern.

The settings furnished on the [Rate Setting Matrix](#) are intended as a guide only. Variations in physical characteristics of material applied, walking speed, and roughness of ground surface may require slightly different spreader settings. Due to the above conditions, the manufacturer makes no warranty as to the uniformity of coverage actually obtained from the settings listed.

HANDLE ADJUSTMENT INSTRUCTIONS

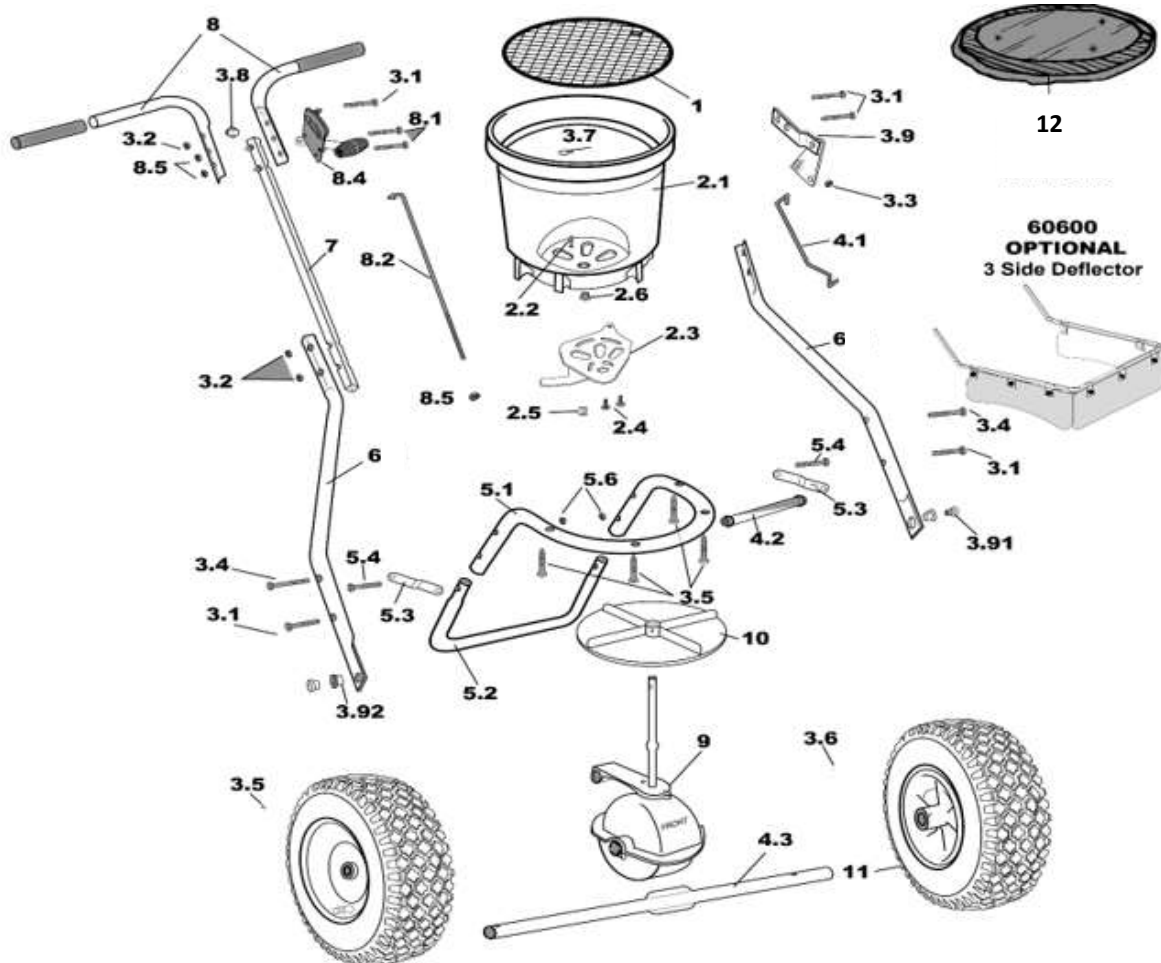
TALL OPERATOR CONFIGURATION – with the four handle holes, use the bottom two holes for the gauge and use the top two holes for the spacer.

STANDARD POSITION



HOW TO ORDER PARTS

Call or Email: TURF DEPOT 800-305-9255 or earthway@turfdepot.com



You can find replacement Nuts and Bolts at your local hardware store.

2150 Broadcast Spreader Parts List

KEY	PART #	DESCRIPTION	KEY	PART #	DESCRIPTION
1	40002	ROUND SCREEN	8	60602	OPERATOR HANDLE ASSEMBLY
2	60332	HOPPER ASSEMBLY KIT (2.1 – 2.6)	9	60333	GEARBOX & IMPELLER SHAFT KIT
3	38168	HARDWARE KIT (3.1 - 3.92)	10	12110	IMPELLER
4	60268	CONTROL KIT & X-BRACE KIT (4.1- 4.5)	11	70138	13" PNEUMATIC TIRE
5	60603	LOWER FRAME ASSY KIT (5.1 – 5.6)	12	77001	HEAVY DUTY RAIN COVER ACCESSORY
6	25222	LOWER HANDLE	OPTIONAL	60600	THREE SIDE DEFLECTOR KIT
7	25223	HANDLE SHAFT - SQUARE			

CUSTOMER SERVICE

SUPPORT@EARTHWAY.COM | www.EARTHWAY.com | 1009 Maple Street, Bristol, IN 46507

ONE YEAR WARRANTY

Limited Warranty

EarthWay Products, Inc. provides this limited warranty that this product is free of defects in original workmanship and materials for a period of one year to the end user with the original purchase receipt. If a manufacturing non-conformance is found, EarthWay Products, Inc. at its discretion will repair or replace the part(s)/product at no charge provided the failure is not the result of incorrect installation, mishandling, misuse, tampering, improper storage, or normal wear and tear as determined by EarthWay. Due to the corrosive nature of most fertilizers and ice melt products, EarthWay Products, Inc. makes no warranty against and specifically excludes part(s) or product degradation or failure due to corrosion or its effects .

EarthWay at its discretion may require that the part(s) or product be returned along with the original purchase receipt for examination and compliance with the terms of this limited warranty. Do not return any product without first receiving authorization from EarthWay Products, Inc. IN NO EVENT SHALL EITHER PARTY BE LIABLE TO THE OTHER FOR SPECIAL, INDIRECT, INCIDENTAL OR CONSEQUENTIAL DAMAGES, EVEN IF SUCH PARTY SHALL HAVE BEEN ADVISED OF THE POSSIBILITY OF THE SAME. To seek remedy under this limited warranty, contact EarthWay Products, Inc. at support@earthway.com or write to EarthWay Products, Inc. 1009 Maple Street, Bristol, IN 46507 and describe the nature of the manufacturing defect. SPECIFIC LIMITATIONS: This limited warranty covers only the part(s) or product; any labor charges associated with repair or replacement of non-conformances are specifically excluded.

The above-listed warranty procedure is a condition precedent to bringing any legal action to enforce this limited warranty. Any action to enforce any portion of this limited warranty must be commenced within ninety days after the expiration of the limited warranty coverage period. Any performance of repairs will not suspend this limitation period from expiring, unless state law provides otherwise. Any performance of repairs after the limited warranty coverage period has expired, or performance of repairs regarding anything excluded from coverage under this limited warranty shall be considered "good will" repairs, and they will not change the express terms of this limited warranty or extend the limited warranty coverage period.

Exclusive jurisdiction for deciding legal disputes relating to alleged breach of warranty or representations of any nature relating to this limited warranty must be filed in the courts of Elkhart County within the State of Indiana. Any and all claims, controversies, and causes of action arising out of or relating to this limited warranty, whether sounding in contract, tort or statute, will be governed by the laws of the State of Indiana, without giving effect to any choice or conflict of law provision or rule.

NO OTHER WARRANTY, EXPRESS, IMPLIED OR STATUTORY, SHALL APPLY, INCLUDING, BUT NOT LIMITED TO, ANY IMPLIED WARRANTY OF MERCHANTABILITY, APPLICATION OR FITNESS FOR A PARTICULAR PURPOSE, OR ANY OTHER WARRANTY OBLIGATION ON THE PART EARTHWAY, AND ALL SUCH WARRANTIES ARE EXPRESSLY DISCLAIMED. In the event that applicable law prevents the disclaimer of any implied warranties, then such implied warranty shall be limited to the fullest extent permitted by law. Without limiting the foregoing, if applicable prevents the disclaimer of any such implied warranties, this limited warranty limits the period of time in which a claim for breach of implied warranties, including but not limited to the implied warranty of merchantability or fitness for a particular purpose, may be filed. In such event, any claim for breach of implied warranty must be brought before the expiration of this express limited warranty's one year term.