



Thank you for selecting EarthWay for your spreader needs. Our production team in Northern Indiana takes pride in building this

spreader. Our customer support team is standing ready to ensure your success. Please contact us at www.EarthWay.com to see our full line of commercial, lawn & garden tools.

OPERATING INSTRUCTIONS

Before filling hopper, become familiar with the operation of this spreader.

- Obtain proper setting for material to be used from the SETTING MATRIX included with this spreader.
- Move stop bolt on rate gauge assembly to the proper setting and tighten to secure.
- While pulling spreader forward, push control lever toward the spreader to the stop bolt. To stop, pull lever forward to close flow holes before you stop moving.
- When finished, empty any remaining material from hopper.
- ***To prevent corrosion, spray a light oil or Fluid Film inside the tubing of the chassis and on all metal parts.***

Note: Your EarthWay spreader includes a feature called side spread control. This feature shuts off the left side of your spreader, allowing only the right side to continue spreading evenly. To activate this feature, slide the lever below the hopper to the right (if standing behind the spreader) and walk along a sidewalk or flowerbed that is 12"-14" on your left side. Fertilizer will not spread to the left. This feature is better than a deflector as no material is wasted by the deflector.

For spreading, please utilize the following spreader settings:

SPREADER RATE SETTINGS			
LBS PER 1000 SQUARE FEET	GRASS SEED	FERTILIZER SGN 240 (3/32")	SAND SGN 150 (1/16")
1 LB		9	7
2 LB	14	13	10
3 LB	16	16	13
4 LB	18	20	14
5 LB	20	22	16
8 LB		28	22

SIDE SPREAD CONTROL

The **Side Spread Control** is an innovation that eliminates the need to use a side deflector, which can adversely affect your application rate, to prevent material from being spread into flowerbeds, on sidewalks, or driveways. The **Side Spread Control** maintains the correct application rate while it is activated, giving you excellent results in seeding or spreading while controlling the spread pattern on the left side of the spreader. The **Side Spread Control** is an EarthWay® exclusive.

SIDE SPREAD CONTROL OPERATION

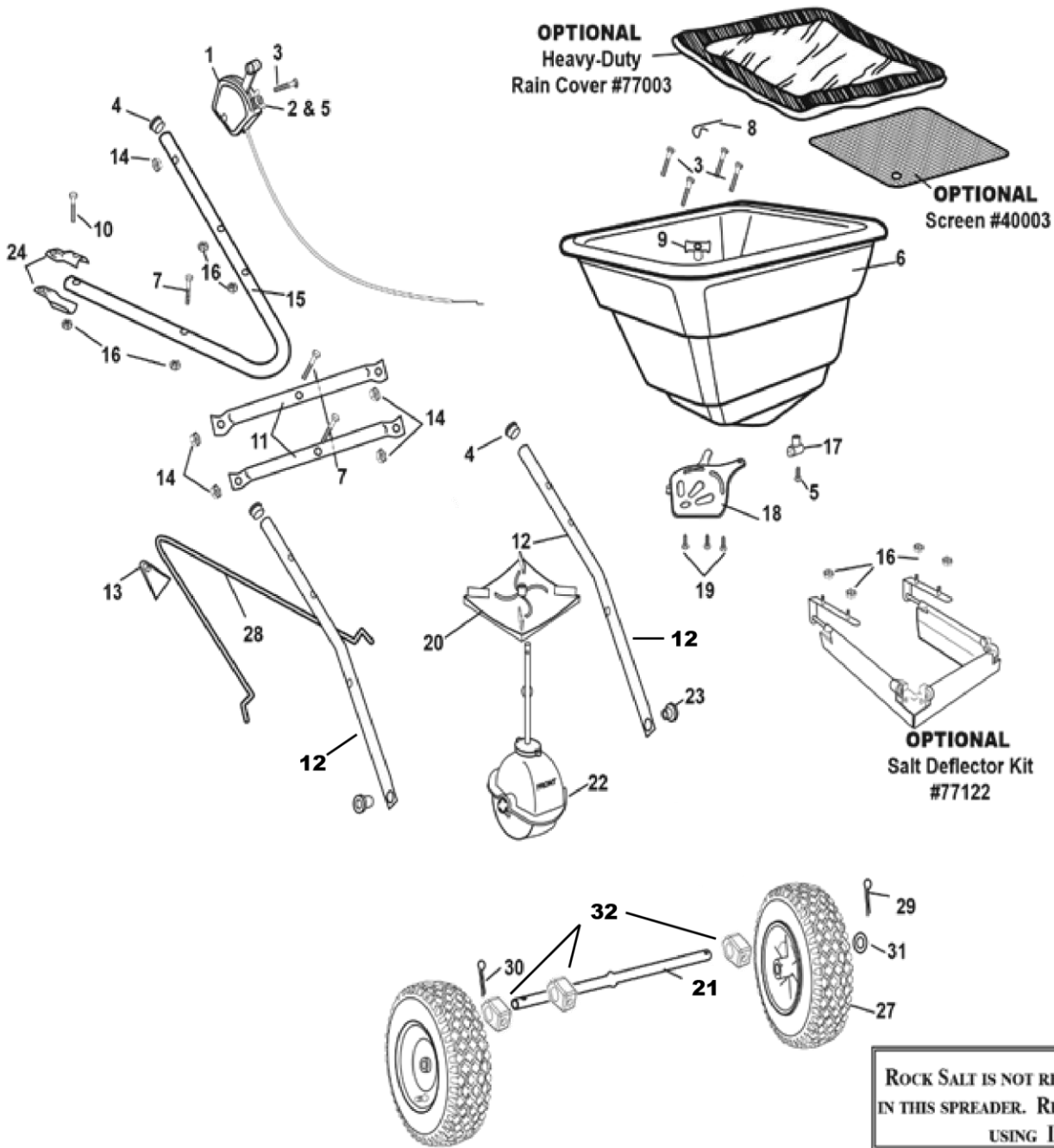
The **Side Spread Control** lever is located on the back of the hopper at the bottom. To operate the **Side Spread Control**, slide the control lever from the left, to the right. This will activate the **Side Spread Control** for a **PARTIAL** spread pattern and prevent material from being spread to the left side of the spreader. Position the left wheel of your spreader 12"–16" from the sidewalk, flowerbed, or driveway and spread as normal. When you have completed this spreading pass, open the **Side Spread Control** by sliding the control lever from right to left, for a **FULL** spread pattern.



ASSEMBLY INSTRUCTIONS

- Make sure #28 Wire Brace is under #15 CONTROL SUPPORT prior to attaching #15 CONTROL SUPPORT.
- Attach #15 CONTROL SUPPORT to #11 using #7 Bolts and #16 Nuts—DO NOT TIGHTEN.
- Using #13 Brace Clip and #7 Bolt and #16 Nut attach #28 Wire Brace to lower side of #15 CONTROL SUPPORT.
- **Tighten all hardware now.**

3MPH Maximum towing speed



HOW TO ORDER SPARE PARTS

All spare parts listed herein may be ordered direct from the manufacturer. Be sure to give the following information when ordering.

1. Model Number
2. Part Number
3. Part Description

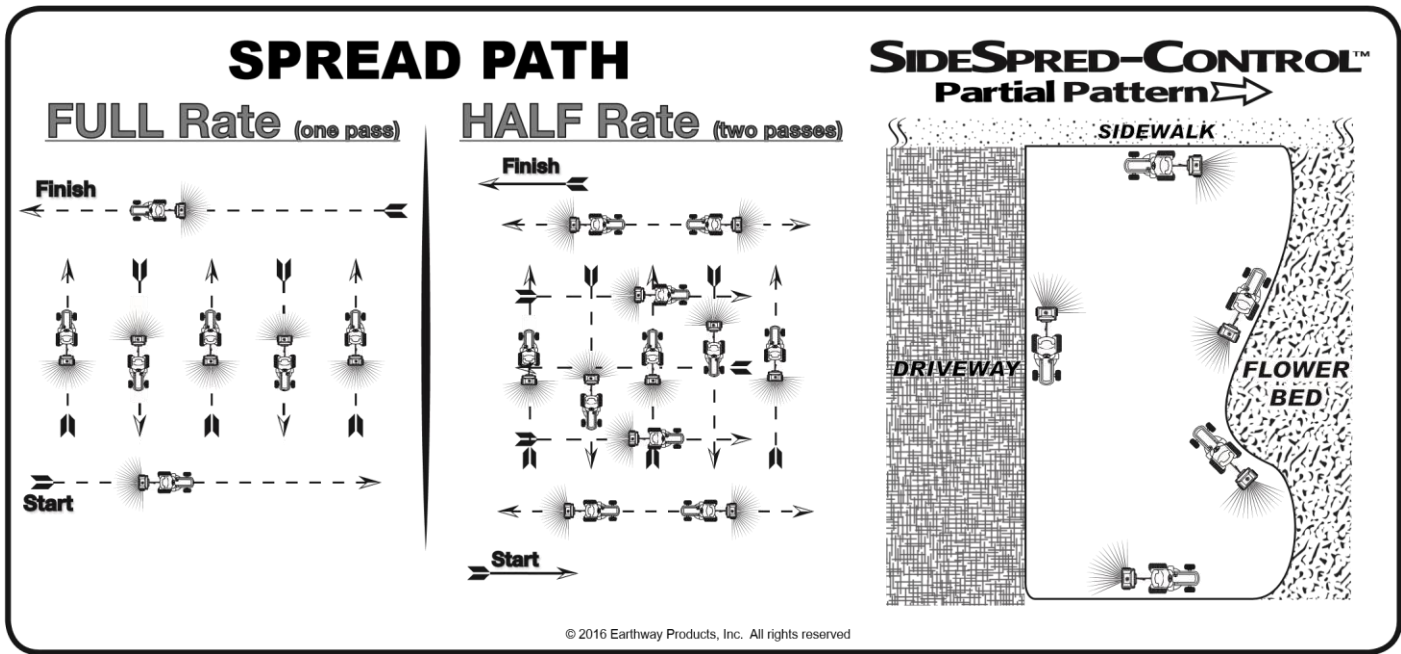
You can contact us by calling (574) 848-7491 to place an order with a credit card, or purchase online at www.Earthway.com. Questions? Email us at sales@earthway.com

2050T/TP Parts List								
Key #	Part #	Description	Key #	Part #	Description	Key #	Part #	Description
1	60514	CONTROL ASSEMBLY (includes parts 2, 5)	14	32100	¼-20 HEX NUT ZINC	24	44215	HITCH PLATE
3	37108	1/4-20 X 1 3/4" CARRIAGE BOLT	15	25227	CONTROL SUPPORT	27	70106	10" PNEUMATIC WHEEL
4	19132	7/8" TUBE PLUG	16	32103	1/4-20 NYLON INS LOCKNUT ZINC	28	43059	WIRE BRACE
6	60363	HOPPER ASSEMBLY (includes parts 9, 18, 19)	17	12318	LOWER HOUSING CLIP	29	33106	1/8" X ¾" COTTER PIN
8	33117	AGITATOR	18	12221	SHUT OFF PLATE	30	33107	1/8" X 1-3/4" COTTER PIN S.S
9	12209	HOPPER BUSHING	19	31138	#8 X 3/8" PMT HD COARSE BLACK	31	34103	1" OD X 17/32" ID X 1/32" WASHER
10	31100	1/4-20 X 1 1/2 HHMS	20	12248	IMPELLER	32	P14634	AXLE COLLARS
11	25226	CROSS BRACE	21	23512	AXLE	OPTIONAL	77003	HEAVY DUTY RAINCOVER 13" X 18"
12	25225	FRAME LOWER	22	60404	GEAR BOX ASSEMBLY	OPTIONAL	40003	SQUARE SCREEN
13	12267	BRACE CLIP	23	12197	SPACER BEARING	OPTIONAL	77122	SALT DEFLECTOR KIT

HOW TO DETERMINE THE SETTING RATE

GRASS SEED		
GRAMS/SQ METER	LBS./1,000 SQ FT	SPREADER SETTING
10 Grams	2 LBS.	13
15 Grams	3 LBS.	14
20 Grams	4 LBS.	16
25 Grams	5 LBS.	17

The settings furnished on the Rate Setting Matrix are intended as a guide only. Variations in physical characteristics of material applied, walking speed, and roughness of ground surface may require slightly different spreader settings. Due to the above conditions, EARTHWAY PRODUCTS, Inc. makes no warranty as to the uniformity of coverage actually obtained from the settings listed.



CUSTOMER SERVICE

SUPPORT@EARTHWAY.COM | 1009 Maple Street, Bristol, IN 46507

ONE YEAR WARRANTY

EarthWay Products, Inc. warrants this product free of defects in original workmanship and materials for a period of one year to the end user with the original purchase receipt. If a manufacturing non-conformance is found, EarthWay Products, Inc. at its discretion will repair or replace the part(s)/product at no charge provided the failure is not the result of incorrect installation, mishandling, misuse, tampering, or normal wear and tear as determined by EarthWay.

EarthWay at its discretion may require that the part(s) or product be returned along with the original purchase receipt for examination and compliance with the terms of this warranty. Do not return any product without first receiving authorization from EarthWay Products, Inc.

To seek remedy under this warranty, contact EarthWay Products, Inc. at support@earthway.com or write to EarthWay Products, Inc. 1009 Maple Street, Bristol, IN 46507 and describe the nature of the manufacturing defect. **SPECIFIC LIMITATIONS:** This warranty covers only the part(s) or product; any labor charges associated with repair or replacement of non-conformances are specifically excluded. Due to the corrosive nature of most fertilizers and ice melt products, EarthWay Products, Inc. makes no warranty against and specifically excludes part(s) or product degradation or failure due to corrosion or its effects.