



SIDE SPREAD CONTROL

SIDESPREAD CONTROL™

Patent U.S. 10,993,368

Your EarthWay spreader includes a patented feature to prevent fertilizer from being spread to the left side. To activate this feature, slide the lever below the hopper to the back (if standing behind the spreader) and position the left wheel 6"-12" from your sidewalk or border. This will not waste fertilizer like competitor designs that leave 7X the fertilizer inside the wheels from blocking material leaving the impeller.

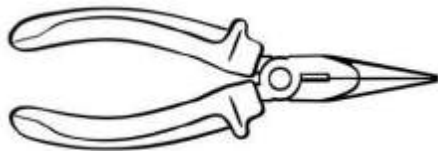
SPREADER RATE SETTINGS

LBS PER 1000 SQUARE FEET	GRASS SEED	FERTILIZER SGN 240 (3/32")	SAND SGN 150 (1/16")
1 LB		9	7
2 LB	14	13	10
3 LB	16	16	13
4 LB	18	20	14
5 LB	20	22	16
8 LB		28	22

HELPFUL HINTS

- ☑ Read the directions before assembly.
- ☑ If your spreader does not spread evenly, be sure "FRONT" on the GEARBOX points to the front of the spreader. **The impeller must turn clockwise when pushing forward.** Reversing the GEARBOX during assembly will cause issues.
- ☑ Your spreader is calibrated for three miles per hour, which is a brisk walking speed. Slower or faster speeds will change the spread pattern. Wet fertilizer will also change the spread pattern and flow rate. **Do not use powdered materials as it will damage the gearbox.**
- ☑ Gears are permanently lubricated at the factory. Do not open the GEARBOX or dirt may enter.

PRIOR TO ASSEMBLY YOU WILL NEED:



AN ADJUSTABLE BOX WRENCH



#2 PHILLIPS SCREWDRIVER



ASSEMBLY INSTRUCTIONS

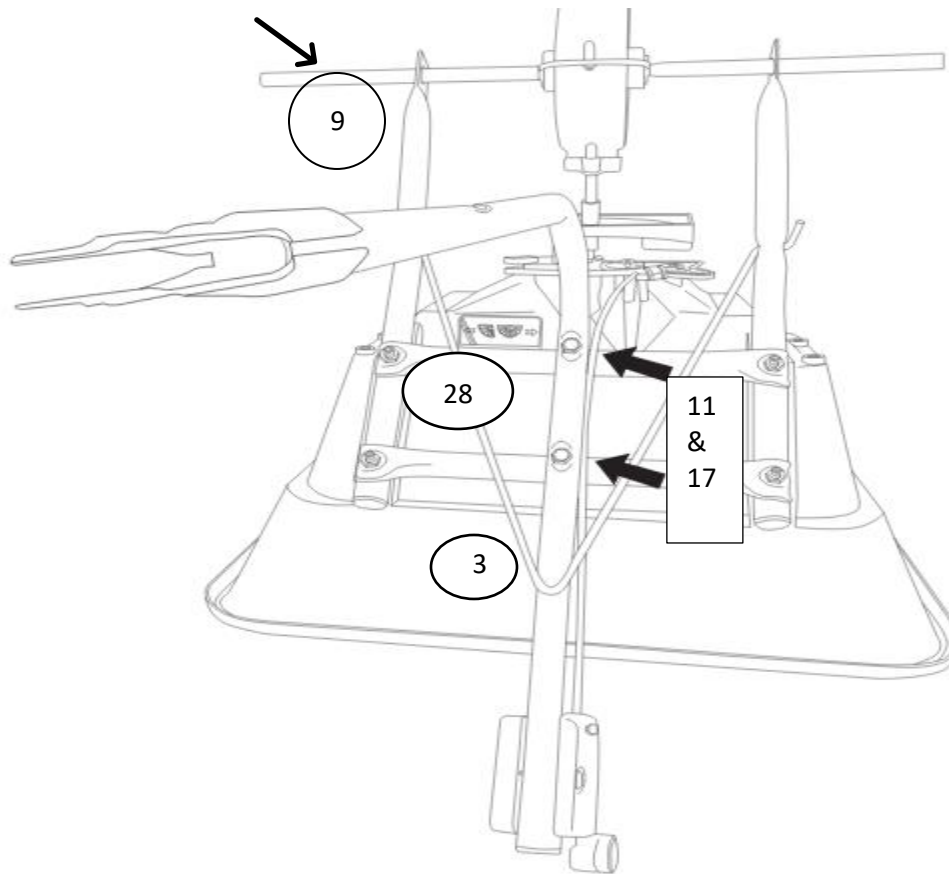
Step 1: Remove all components and hardware items from the box. Place the spreader hopper upside down and facing away from yourself. (Frame is already installed)

Step 2: Insert the cross brace through the gearbox braces(#9)

Step 3: Ensure #28 wire brace is under #15 control support prior to attaching the #15 control support to #11 using #17 bolts and #1 nuts.

Step 4: When connecting the control handle make sure it is facing downward and connect to the holes from #15 to #11 in the center. See the picture below for example:

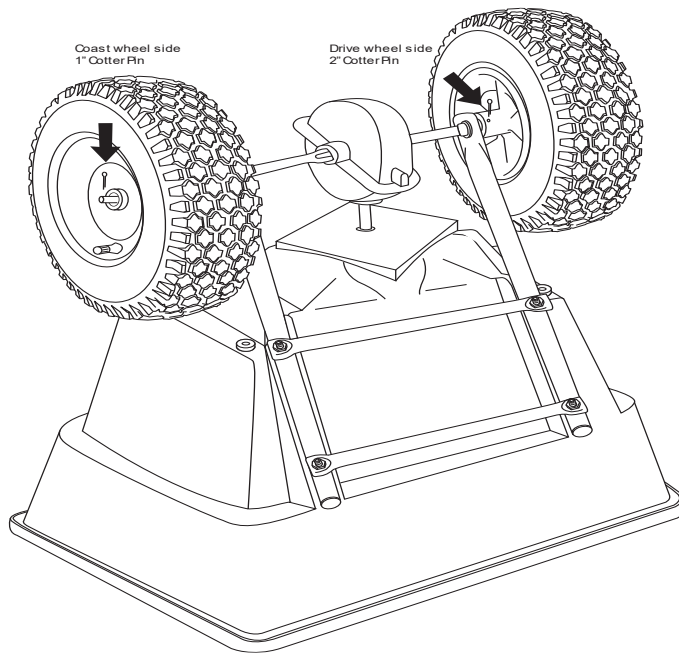
Step 5: Use #13 Brace Clip and #7 bolt and #16 nut to attach the bottom of the #28 wire brace to the lower side of the control support.



Step 6: Install the axle bearing on each end of the axle

Step 7: Install the Axle collar on the axle and then attach the drive wheel with the large cotter pin into the small hole in the axle and tire base. Then bend pin to attach firmly.

Step 8: Install the two axle collars left on the other side of the axle where the coast wheel goes. Slide on the coast wheel and insert the small cotter pin through the small hole on the axle and wheelbase.



OPERATING INSTRUCTIONS

- ☑ Obtain proper setting for material to be used from the enclosed SETTING MATRIX included with this spreader, or from our web site under the MANUALS SECTION.
- ☑ Set stop bolt on rate gauge assembly to the proper rate setting.
- ☑ While pushing spreader forward, pull control lever back to stop bolt, to stop spreading, push lever forward to close flow holes before you stop moving.
- ☑ When finished, empty any remaining material from hopper, rinse spreader, apply coating of light oil to all metal parts. The gearbox is sealed and is factory lubricated.

SIDESPREAD CONTROL™

The **SideSpread-Control** is a patented innovation that is superior to side deflectors. Side deflectors block material leaving the impeller. This blocked material is now consolidated into a 2-3" wide path on the left inside wheel of your spreader. This equates to wasted fertilizer, dark green stripes, and in some cases this extra fertilizer (seven times) will damage the lawn.

SideSpread-Control maintains the correct application rate while not placing material on driveways, sidewalks, flowerbeds, or worse, the storm drains in your street. This saves you money and keeps you from damaging your lawn.

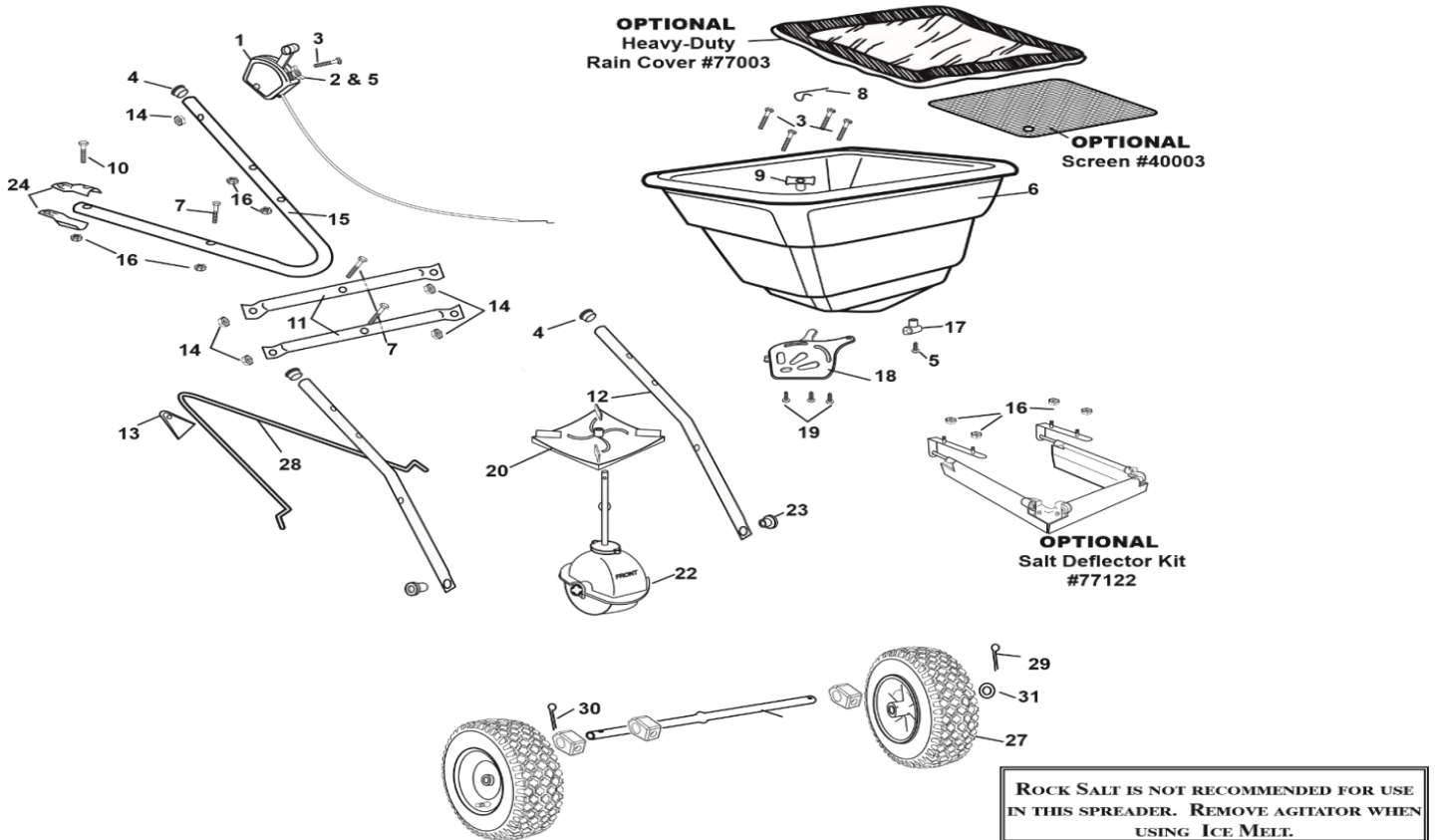
To engage **SideSpread-Control**:

- 1) Locate the lever on under the right side of the hopper.
- 2) Slide the control lever from the front to the back.
- 3) Position the left wheel of your spreader 6"-12" from the sidewalk, flowerbed, or driveway and spread as normal.
- 4) When you have completed this spreading pass, close the control lever to "0", and then open the **SideSpread-Control™** by sliding the control lever from back to the front, for a **FULL**, 180 degree spread pattern.



HOW TO ORDER SPARE PARTS – CALL or EMAIL:

TURF DEPOT 800-305-9255 or earthway@turfdepot.com



80 POUND (2050TP) Broadcast Spreader Parts List

SERIES	PART #	DESCRIPTION	SERIES	PART #	DESCRIPTION
1	60514	CONTROL ASSEMBLY (1.1-1.2)	15	12248	IMPELLER
2	60363	HOPPER ASSEMBLY (2.1-2.3)	16	23512	AXLE
3	38163	HARDWARE PKG. 2050T/TP (3.1-3.3)	17	60404	GEAR BOX ASSEMBLY
4	19132	7/8" TUBE PLUG	18	12197	SPACER BEARING
5	37108	1/4-20 X 1 3/4" CARRIAGE BOLT ZINC	19	44215	HITCH PLATE
6	31124	10 X 5/8" TYPE A PHPS SCREW ZIN	20	43059	WIRE BRACE (2050T1/2050TP1)
7	33117	AGITATOR	21	33106	1/8 X 3/4 COTTER PIN ZINC
8	31100	1/4-20 X 1 1/2 HHMS	22	33107	1/8 X 1 3/4 COTTER PIN SS
9	25226	CROSS BRACE	23	34103	10D X 17/32"ID X 1/32" WASHER ZINC
10	25225	FRAME LOWER	24	70106	10" PNEUMATIC DRIVE WHEEL
11	32100	1/4-20 HEX NUT ZINC	Optional	77003	HVY DUTY RAIN COVER ALL 2050 13X19
12	25227	CONTROL SUPPORT	Optional	40003	SQUARE SCREEN
13	32103	1/4-20 NYLON INS LOCKNUT ZINC	Optional	77122	SALT DEFLECTOR KIT
14	12318	LOWER HOUSING CLIP			Need 23512 AXLE, Need 32103 LOCKNUT

CUSTOMER SERVICE

SUPPORT@EARTHWAY.COM | www.EARTHWAY.com | 1009 Maple Street, Bristol, IN 46507

ONE YEAR WARRANTY

EarthWay Products, Inc. warrants this product free of defects in original workmanship and materials for a period of one year to the end user with the original purchase receipt. If a manufacturing non-conformance is found, EarthWay Products, Inc. at its discretion will repair or replace the part(s)/product at no charge provided the failure is not the result of incorrect installation, mishandling, misuse, tampering, or normal wear and tear as determined by EarthWay.

EarthWay at its discretion may require that the part(s) or product be returned along with the original purchase receipt for examination and compliance with the terms of this warranty. Do not return any product without first receiving authorization from EarthWay Products, Inc.

To seek remedy under this warranty, contact EarthWay Products, Inc. at support@earthway.com or write to EarthWay Products, Inc. 1009 Maple Street, Bristol, IN 46507 and describe the nature of the manufacturing defect. **SPECIFIC LIMITATIONS:** This warranty covers only the part(s) or product; any labor charges associated with repair or replacement of non-conformances are specifically excluded. Due to the corrosive nature of most fertilizers and ice melt products, EarthWay Products, Inc. makes no warranty against and specifically excludes part(s) or product degradation or failure due to corrosion or its effects.