

MODEL # 2050SU

OPERATIONAL INSTRUCTIONS



### SIDE SPREAD CONTROL

SIDESPREAD CONTROL™

Patent U.S. 10,993,368

Your EarthWay spreader includes a patented feature to prevent fertilizer from being spread to the left side. To activate this feature, slide the lever below the hopper to the back (if standing behind the spreader) and position the left wheel 6"-12" from your sidewalk or border. This will not waste fertilizer like competitor designs that leave 7X the fertilizer inside the wheels from blocking material leaving the impeller.

### Spreader Setting Chart

Setting Rate	LBS/1,000 SQ FT	Grams/SQ Meter
11	1.0 LBS	5 GRAMS
13	2.0 LBS	10 GRAMS
14	3.0 LBS	15 GRAMS
16	4.0 LBS	20 GRAMS
17	5.0 LBS	25 GRAMS
18	6.0 LBS	30 GRAMS
19	7.0 LBS	35 GRAMS
20	8.0 LBS	40 GRAMS
22	9.0 LBS	45 GRAMS
23	10.0 LBS	50 GRAMS

**ASSEMBLY:** Flip up handle and tighten each wing nut to hold handle in place.

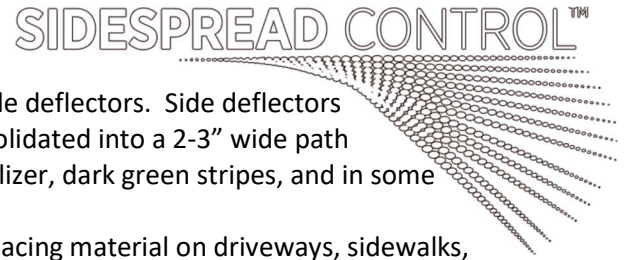
## HELPFUL HINTS

- Read the directions before assembly.
- If your spreader does not spread evenly, be sure "FRONT" on the GEARBOX points to the front of the spreader. **The impeller must turn clockwise when pushing forward.** Reversing the GEARBOX during assembly will cause issues.
- Your spreader is calibrated for three miles per hour, which is a brisk walking speed. Slower or faster speeds will change the spread pattern. Wet fertilizer will also change the spread pattern and flow rate. **Do not use powdered materials as it will damage the gearbox.**
- Gears are permanently lubricated at the factory. Do not open the GEARBOX or dirt may enter.

The settings furnished on the [Rate Setting Matrix](#) are intended as a guide only. Variations in physical characteristics of material applied, walking speed, and roughness of ground surface may require slightly different spreader settings. Due to the above conditions, the manufacturer makes no warranty as to the uniformity of coverage actually obtained from the settings listed.

## OPERATING INSTRUCTIONS

- ☑ Obtain proper setting for material to be used from the enclosed SETTING MATRIX included with this spreader, or from our web site under the MANUALS SECTION.
- ☑ Set stop bolt on rate gauge assembly to the proper rate setting and tighten.
- ☑ While pushing spreader forward, pull control lever back to stop bolt, to stop spreading, push lever forward to close flow holes before you stop moving.
- ☑ When finished, empty any remaining material from hopper, rinse spreader, apply coating of light oil to all metal parts. The gearbox is sealed and is factory lubricated.



The **SideSpread-Control** is a patented innovation that is superior to side deflectors. Side deflectors block material leaving the impeller. This blocked material is now consolidated into a 2-3" wide path on the left inside wheel of your spreader. This equates to wasted fertilizer, dark green stripes, and in some cases this extra fertilizer (seven times) will damage the lawn.

**SideSpread-Control** maintains the correct application rate while not placing material on driveways, sidewalks, flowerbeds, or worse, the storm drains in your street. This saves you money and keeps you from damaging your lawn.

To engage **SideSpread-Control**:

- 1) Locate the lever on under the right side of the hopper.
- 2) Slide the control lever from the front to the back.
- 3) Position the left wheel of your spreader 6"-12" from the sidewalk, flowerbed, or driveway and spread as normal.
- 4) When you have completed this spreading pass, close the control lever to "0", and then open the **SideSpread-Control™** by sliding the control lever from back to the front, for a **FULL**, 180 degree spread pattern.

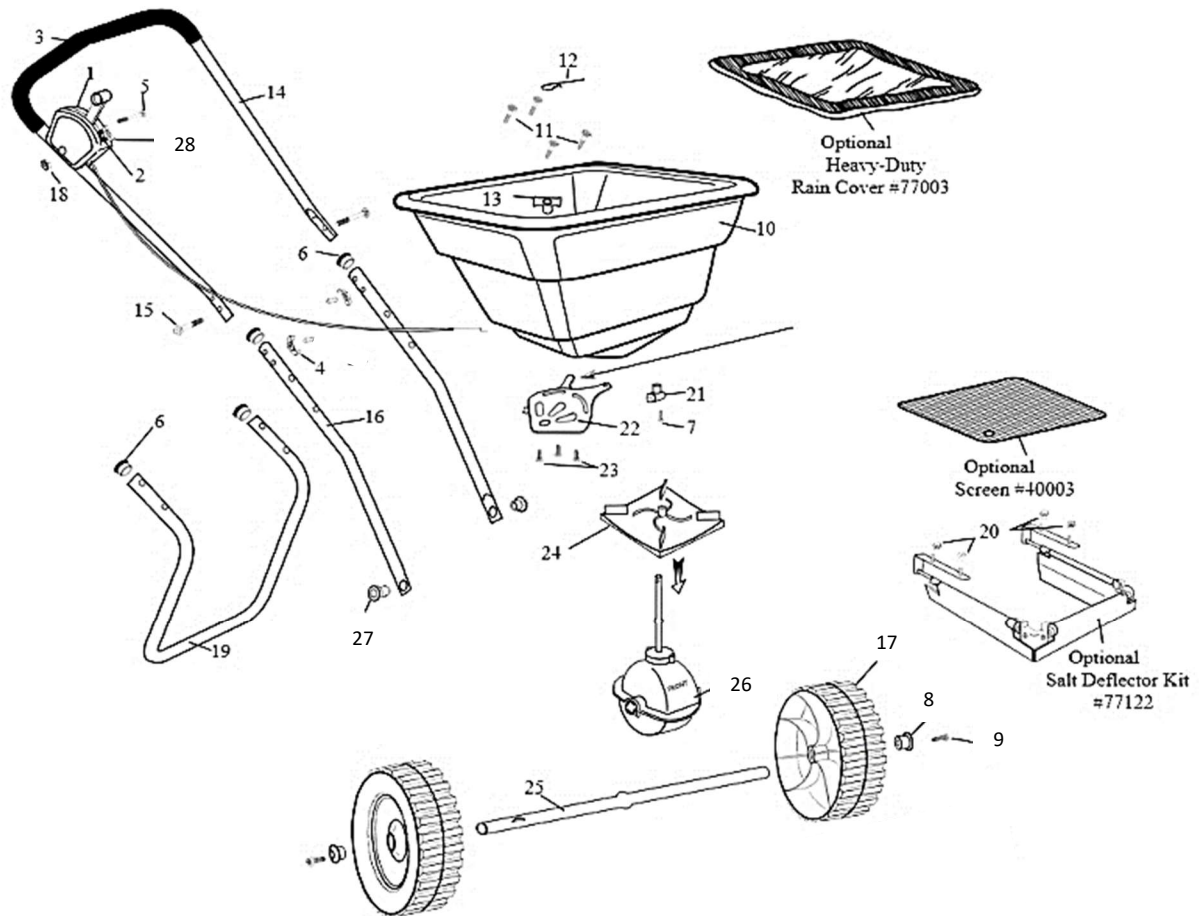


## CUSTOMER SERVICE

[SUPPORT@EARTHWAY.COM](mailto:SUPPORT@EARTHWAY.COM) | [www.EARTHWAY.com](http://www.EARTHWAY.com) | 1009 Maple Street, Bristol, IN 46507

## HOW TO ORDER PARTS

Call or Email: TURF DEPOT 800-305-9255 or earthway@turfdepot.com



**2050SU Broadcast Spreader Parts List**

KEY	PART #	DESCRIPTION	KEY	PART #	DESCRIPTION
1	60515	CONTROL ASSEMBLY (includes 2)	17	12107	10" POLY WHEEL
2	12222	INDICATOR-BROADCAST	18	32100	1/4-20 HEX NUT ZINC
3	70192	.840" X 1.50 X 21" BLACK GRIP	19	25701	REST
4	60027	WING NUT ASSY BLACK	20	32103	1/4-20 NYLON INS LOCKBUT ZINC
5	37108	1/4-20 X 1 3/4" CARRIAGE BOLT ZINC	21	12318	LOWER HOUSING CLIP
6	19132	7/8" TUBE PLUG	22	12221	SHUT OFF PLATE
7	31124	#10 X 5/8" TYPE A PHPS ZINC	23	31138	#8 X 3/8" PMT #8 HD COARSE BLACK
8	12276	AXLE PLUG	24	12248	IMPELLER
9	31148	WHEEL SCREW	25	23510	AXLE
10	60363	HOPPER ASSEMBLY (includes 13, 22, & 23)	26	60404	GEARBOX ASSEMBLY
11	31161	#14 X 3/4" TYPE AB HWHS ZINC	27	12197	SPACER BEARING
12	33117	AGITATOR	28	60027	WING NUT
13	12209	HOPPER BUSHING			
14	60364	UPPER HANDLE ASSEMBLY	OPTIONAL	77003	HEAVY DUTY RAIN COVER
15	37106	1/4-20 X 2" CARRIAGE BOLT ZINC	OPTIONAL	40003	DEBRIS SCREEN
16	25220	LOWER HANDLE	OPTIONAL	77122	SIDE DEFLECTOR

---

## ONE YEAR WARRANTY

---

### Limited Warranty

EarthWay Products, Inc. provides this limited warranty that this product is free of defects in original workmanship and materials for a period of one year to the end user with the original purchase receipt. If a manufacturing non-conformance is found, EarthWay Products, Inc. at its discretion will repair or replace the part(s)/product at no charge provided the failure is not the result of incorrect installation, mishandling, misuse, tampering, improper storage, or normal wear and tear as determined by EarthWay. Due to the corrosive nature of most fertilizers and ice melt products, EarthWay Products, Inc. makes no warranty against and specifically excludes part(s) or product degradation or failure due to corrosion or its effects .

EarthWay at its discretion may require that the part(s) or product be returned along with the original purchase receipt for examination and compliance with the terms of this limited warranty. Do not return any product without first receiving authorization from EarthWay Products, Inc. IN NO EVENT SHALL EITHER PARTY BE LIABLE TO THE OTHER FOR SPECIAL, INDIRECT, INCIDENTAL OR CONSEQUENTIAL DAMAGES, EVEN IF SUCH PARTY SHALL HAVE BEEN ADVISED OF THE POSSIBILITY OF THE SAME. To seek remedy under this limited warranty, contact EarthWay Products, Inc. at support@earthway.com or write to EarthWay Products, Inc. 1009 Maple Street, Bristol, IN 46507 and describe the nature of the manufacturing defect. SPECIFIC LIMITATIONS: This limited warranty covers only the part(s) or product; any labor charges associated with repair or replacement of non-conformances are specifically excluded.

The above-listed warranty procedure is a condition precedent to bringing any legal action to enforce this limited warranty. Any action to enforce any portion of this limited warranty must be commenced within ninety days after the expiration of the limited warranty coverage period. Any performance of repairs will not suspend this limitation period from expiring, unless state law provides otherwise. Any performance of repairs after the limited warranty coverage period has expired, or performance of repairs regarding anything excluded from coverage under this limited warranty shall be considered “good will” repairs, and they will not change the express terms of this limited warranty or extend the limited warranty coverage period.

Exclusive jurisdiction for deciding legal disputes relating to alleged breach of warranty or representations of any nature relating to this limited warranty must be filed in the courts of Elkhart County within the State of Indiana. Any and all claims, controversies, and causes of action arising out of or relating to this limited warranty, whether sounding in contract, tort or statute, will be governed by the laws of the State of Indiana, without giving effect to any choice or conflict of law provision or rule.

NO OTHER WARRANTY, EXPRESS, IMPLIED OR STATUTORY, SHALL APPLY, INCLUDING, BUT NOT LIMITED TO, ANY IMPLIED WARRANTY OF MERCHANTABILITY, APPLICATION OR FITNESS FOR A PARTICULAR PURPOSE, OR ANY OTHER WARRANTY OBLIGATION ON THE PART EARTHWAY, AND ALL SUCH WARRANTIES ARE EXPRESSLY DISCLAIMED. In the event that applicable law prevents the disclaimer of any implied warranties, then such implied warranty shall be limited to the fullest extent permitted by law. Without limiting the foregoing, if applicable prevents the disclaimer of any such implied warranties, this limited warranty limits the period of time in which a claim for breach of implied warranties, including but not limited to the implied warranty of merchantability or fitness for a particular purpose, may be filed. In such event, any claim for breach of implied warranty must be brought before the expiration of this express limited warranty's one year term.